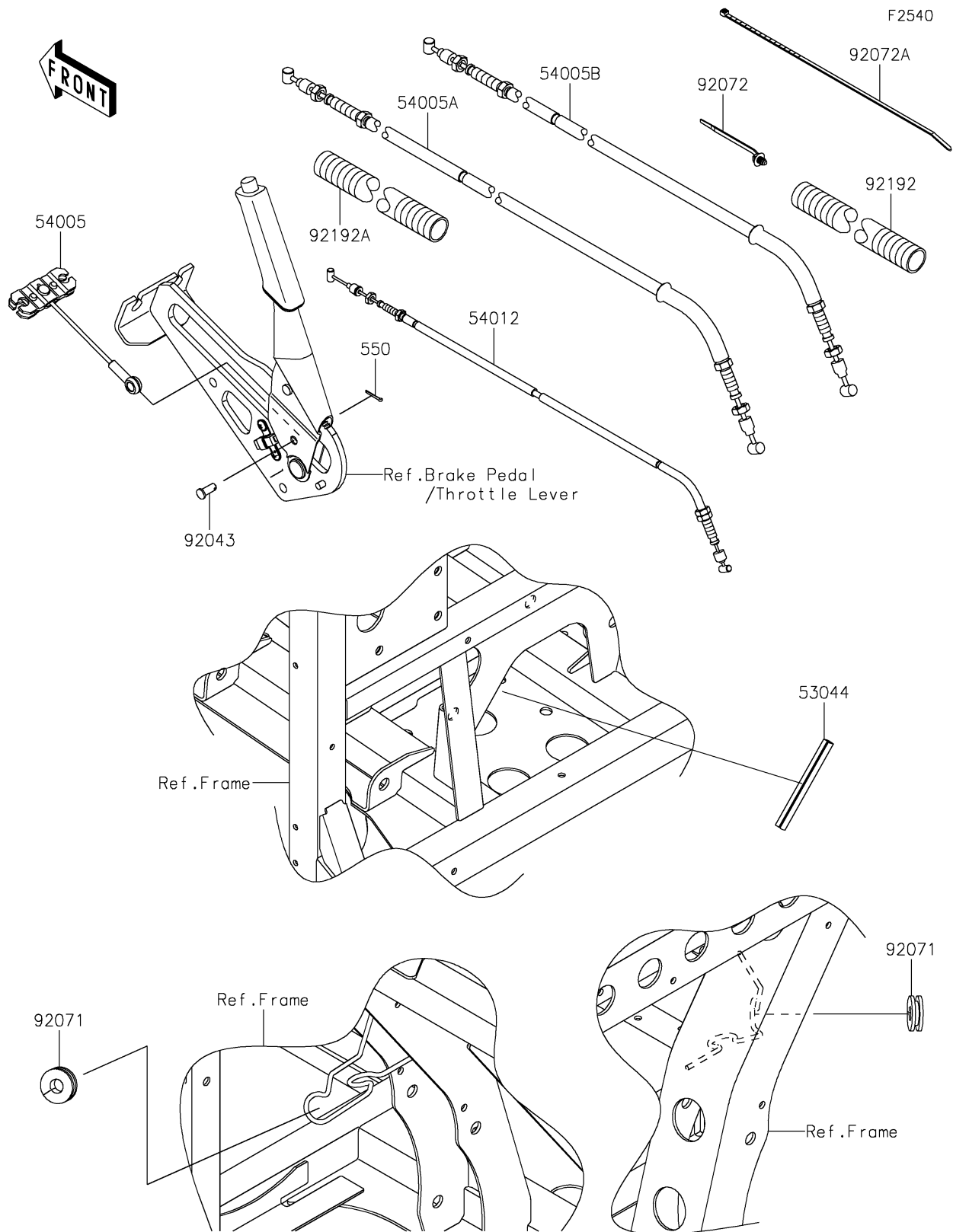


2022 MULE PRO-FXT™ RANCH EDITION PLATINUM

PARTS DIAGRAM

Cables



2022 MULE PRO-FXT™ RANCH EDITION PLATINUM



PARTS LIST Cables

ITEM NAME	PART NUMBER	QUANTITY
-----------	-------------	----------
