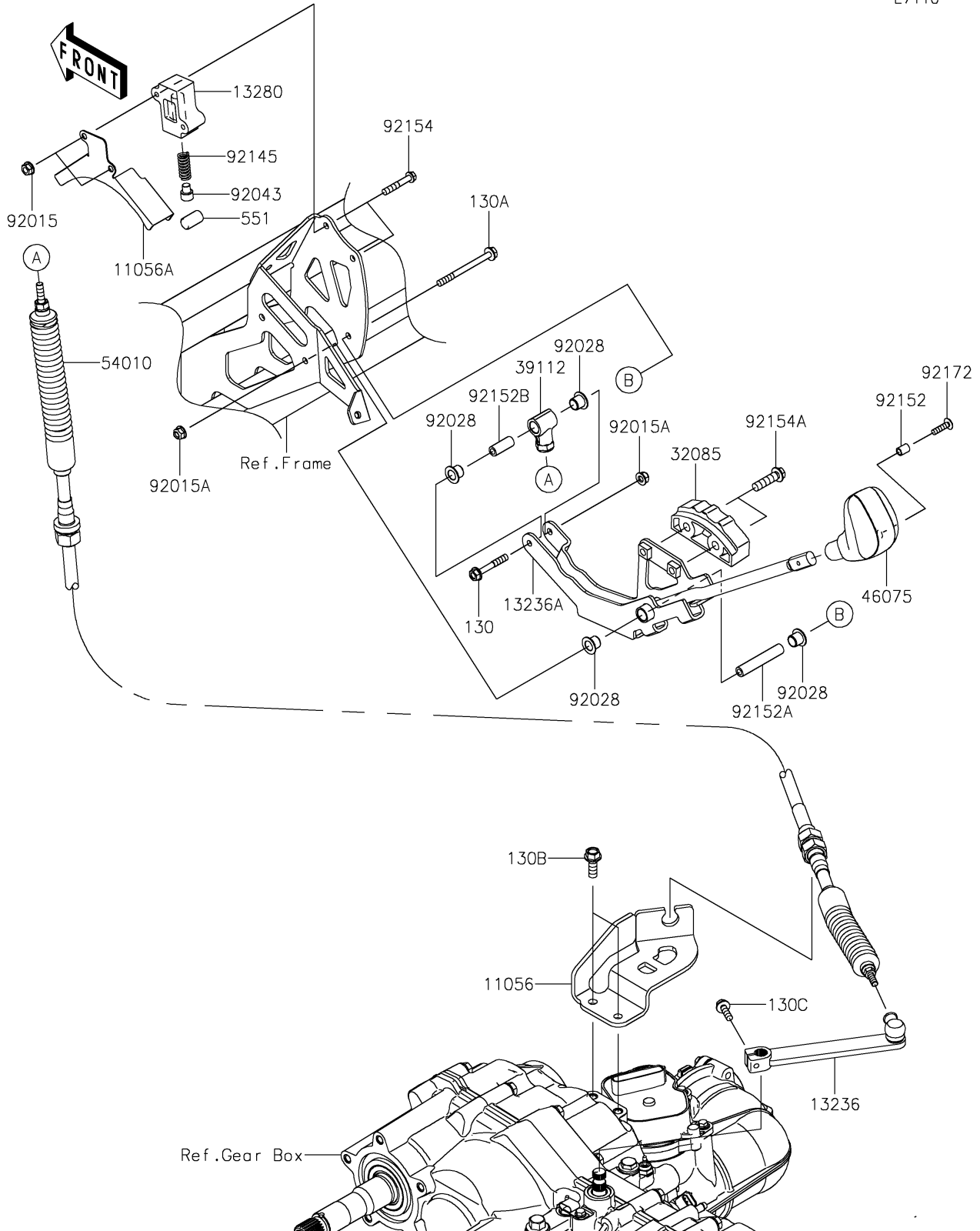


2022 MULE PRO-FXT™ RANCH EDITION PLATINUM

PARTS DIAGRAM

Control

E7110



2022 MULE PRO-FXT™ RANCH EDITION PLATINUM



PARTS LIST

Control

ITEM NAME	PART NUMBER	QUANTITY
-----------	-------------	----------
