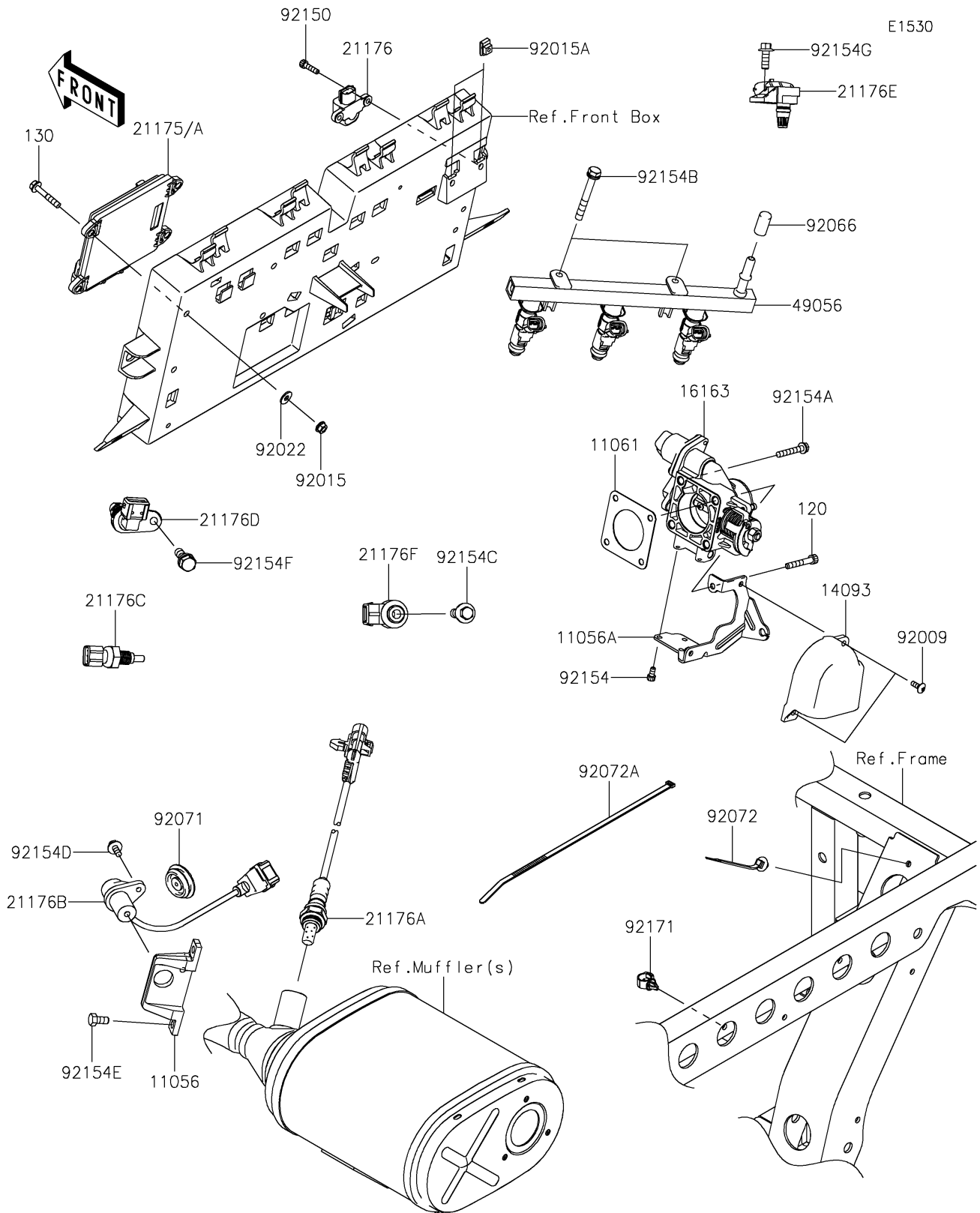


2022 MULE PRO-FXT™ RANCH EDITION PLATINUM

PARTS DIAGRAM Fuel Injection



2022 MULE PRO-FXT™ RANCH EDITION PLATINUM



PARTS LIST

Fuel Injection

ITEM NAME	PART NUMBER	QUANTITY
-----------	-------------	----------
