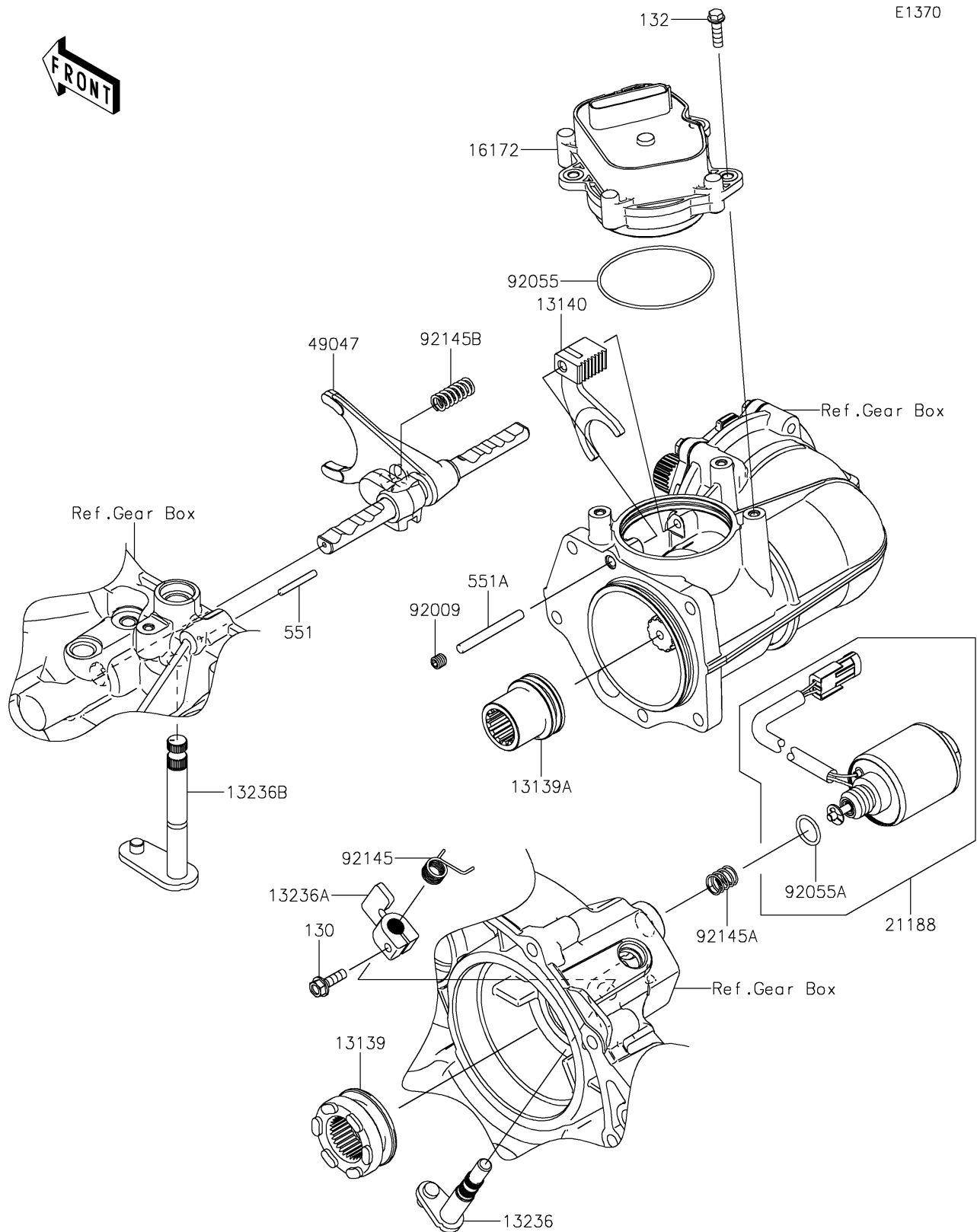


2022 MULE PRO-FXT™ RANCH EDITION PLATINUM

PARTS DIAGRAM

Gear Change Mechanism



2022 MULE PRO-FXT™ RANCH EDITION PLATINUM



PARTS LIST

Gear Change Mechanism

ITEM NAME	PART NUMBER	QUANTITY
-----------	-------------	----------
