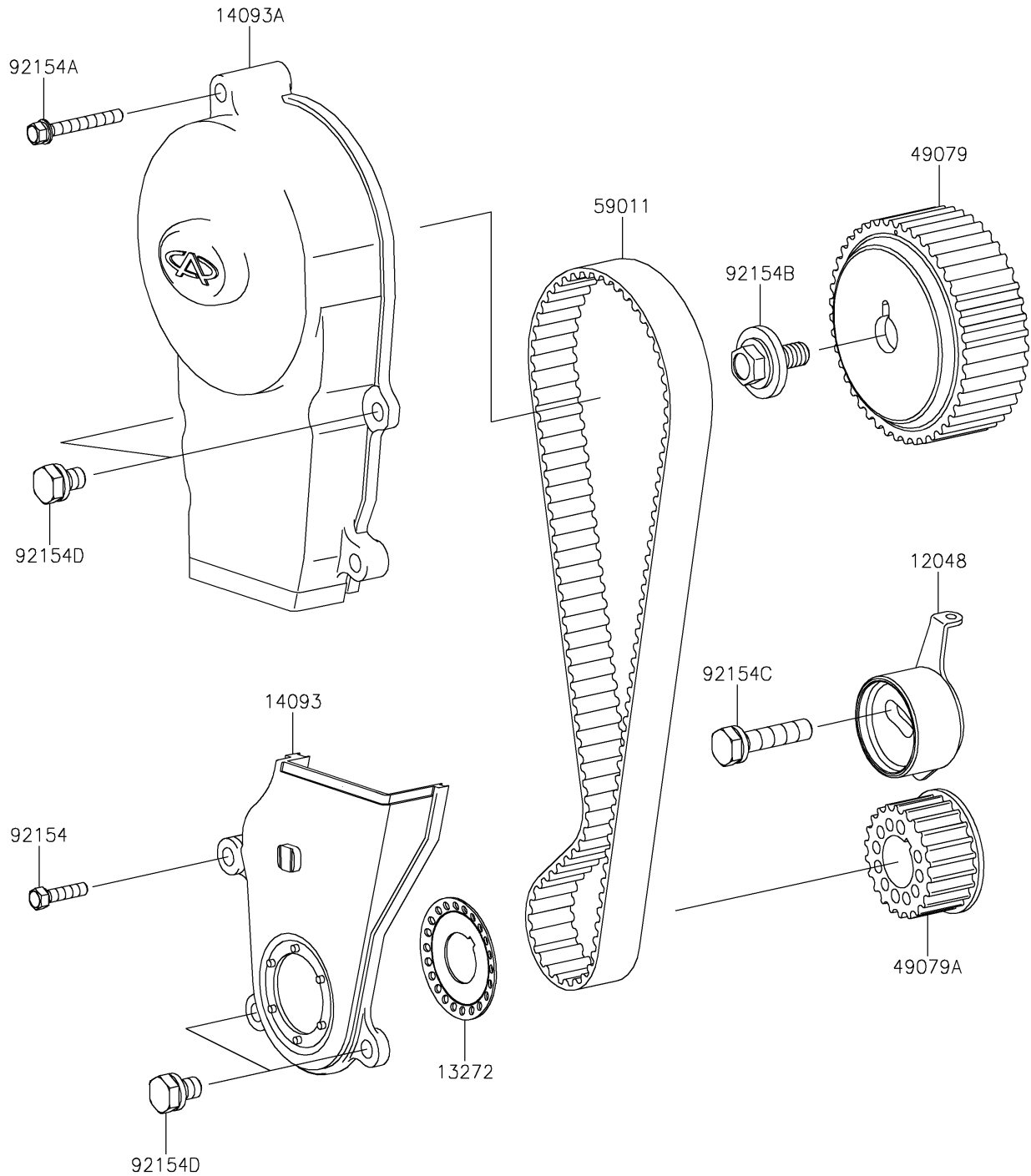


2022 MULE PRO-FXT™ RANCH EDITION PLATINUM

PARTS DIAGRAM

Timing Belt

E1215



2022 MULE PRO-FXT™ RANCH EDITION PLATINUM



PARTS LIST

Timing Belt

ITEM NAME	PART NUMBER	QUANTITY
-----------	-------------	----------
