

2000 Vulcan 1500 Nomad Fi

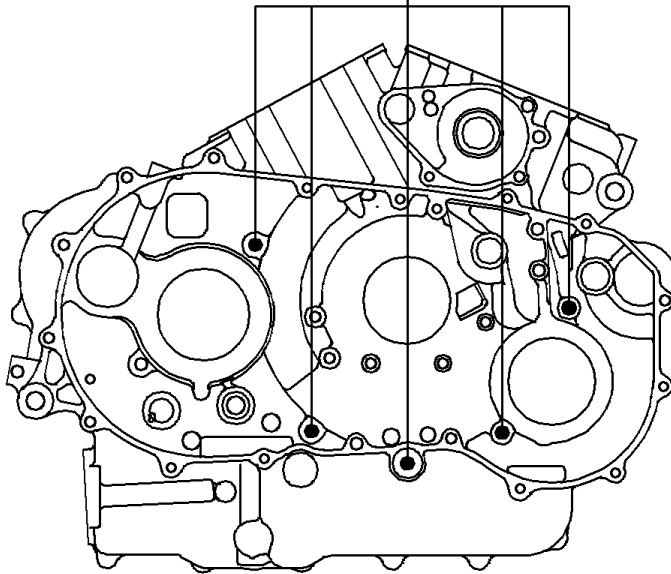
PARTS DIAGRAM

Crankcase Bolt Pattern

E1412

RH(Out Side)

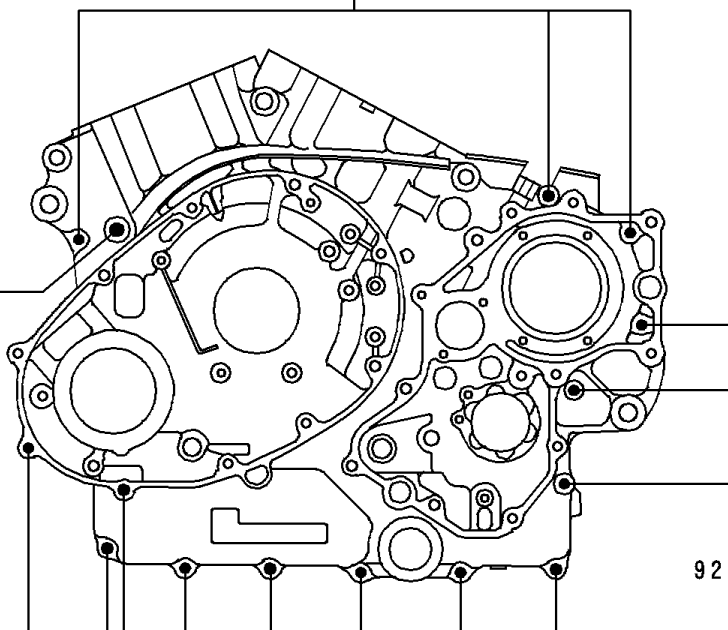
92150A



LH(Out Side)

92150

92150A



92150

92002A

92002

2000 Vulcan 1500 Nomad Fi

PARTS LIST

Crankcase Bolt Pattern

ITEM NAME

PART NUMBER

QUANTITY
