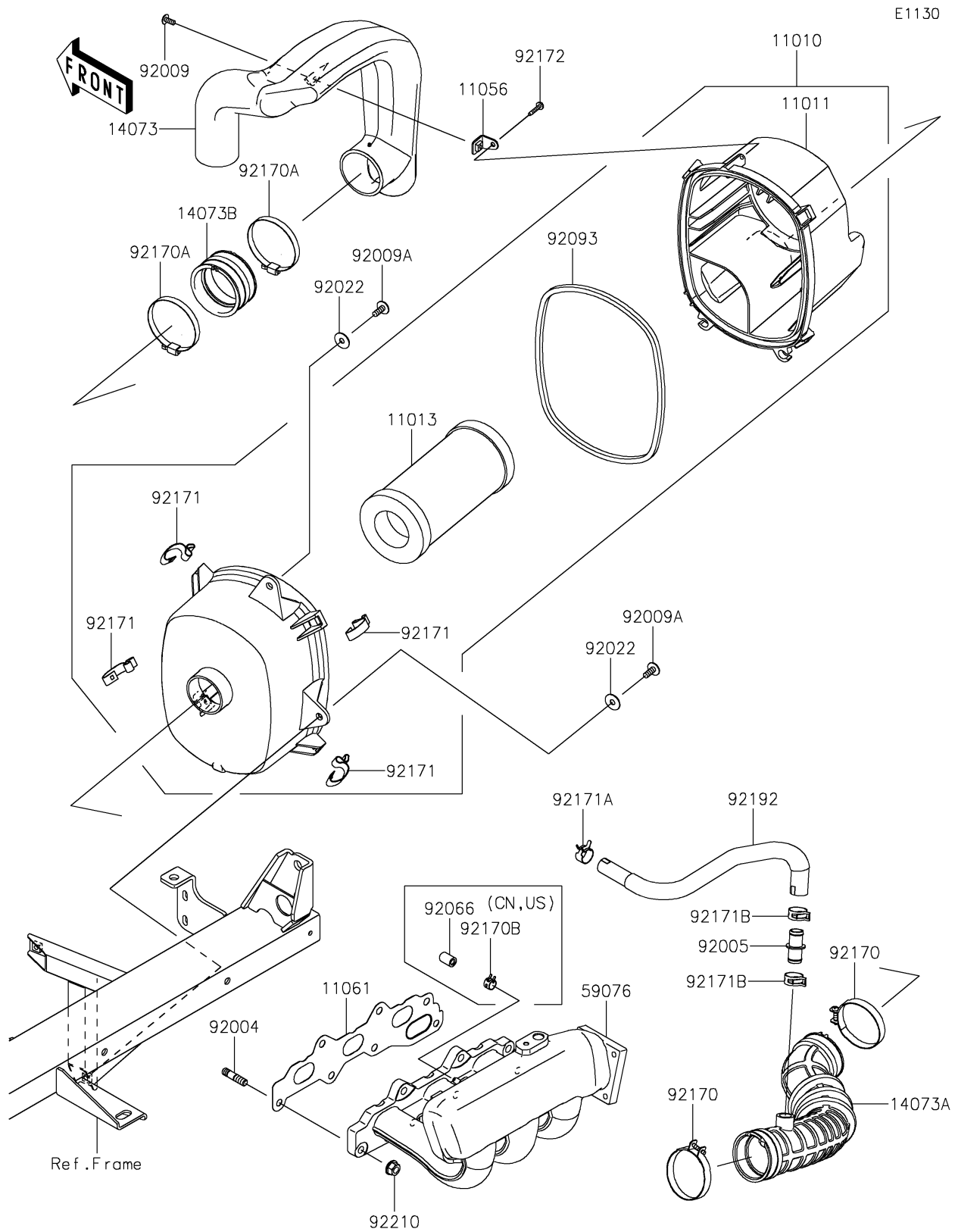


# 2022 MULE PRO-FXT™ EPS LE

## PARTS DIAGRAM

### Air Cleaner



# 2022 MULE PRO-FXT™ EPS LE

## PARTS LIST

### Air Cleaner

**ITEM NAME**

**PART NUMBER**

**QUANTITY**

---