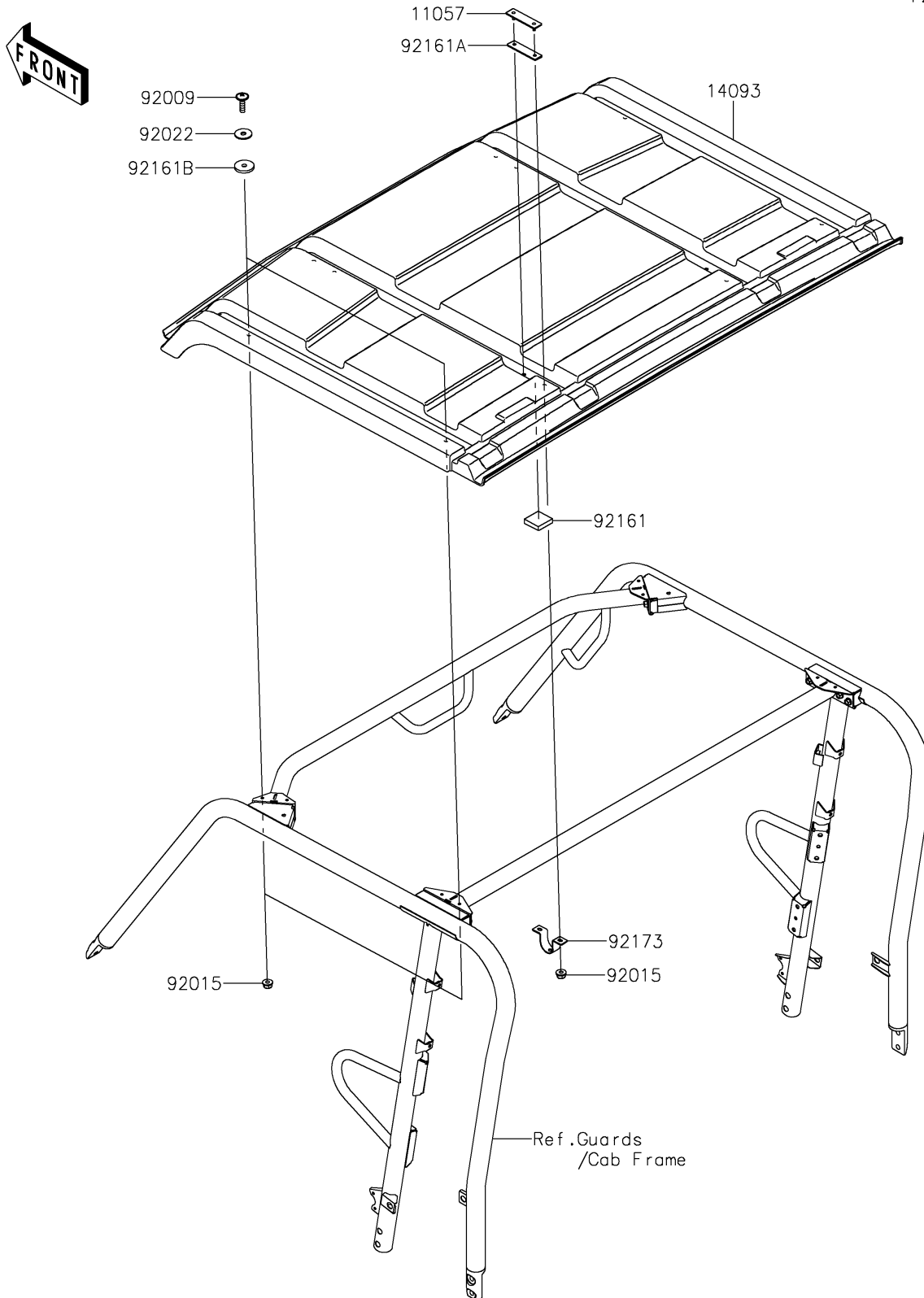


# 2022 MULE PRO-FX™ EPS LE

## PARTS DIAGRAM

### Sun Top

F2876



# 2022 MULE PRO-FX™ EPS LE

## PARTS LIST

Sun Top

**ITEM NAME**

**PART NUMBER**

**QUANTITY**

---