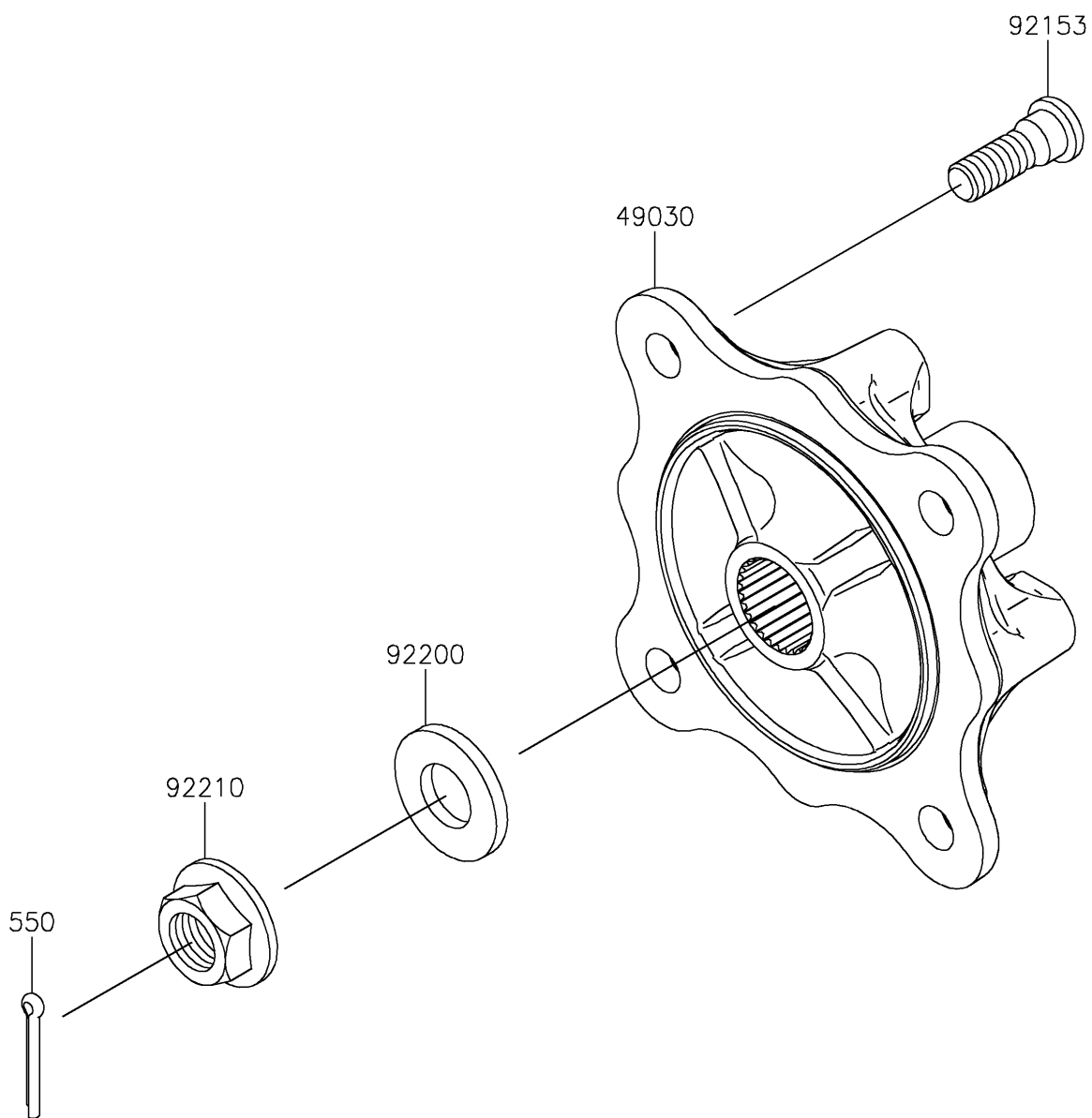


# 2021 MULE PRO-FX™ EPS LE

## PARTS DIAGRAM

### Rear Hubs/Brakes

F2240



# 2021 MULE PRO-FX™ EPS LE

## PARTS LIST

### Rear Hubs/Brakes

ITEM NAME	PART NUMBER	QUANTITY
-----------	-------------	----------

---