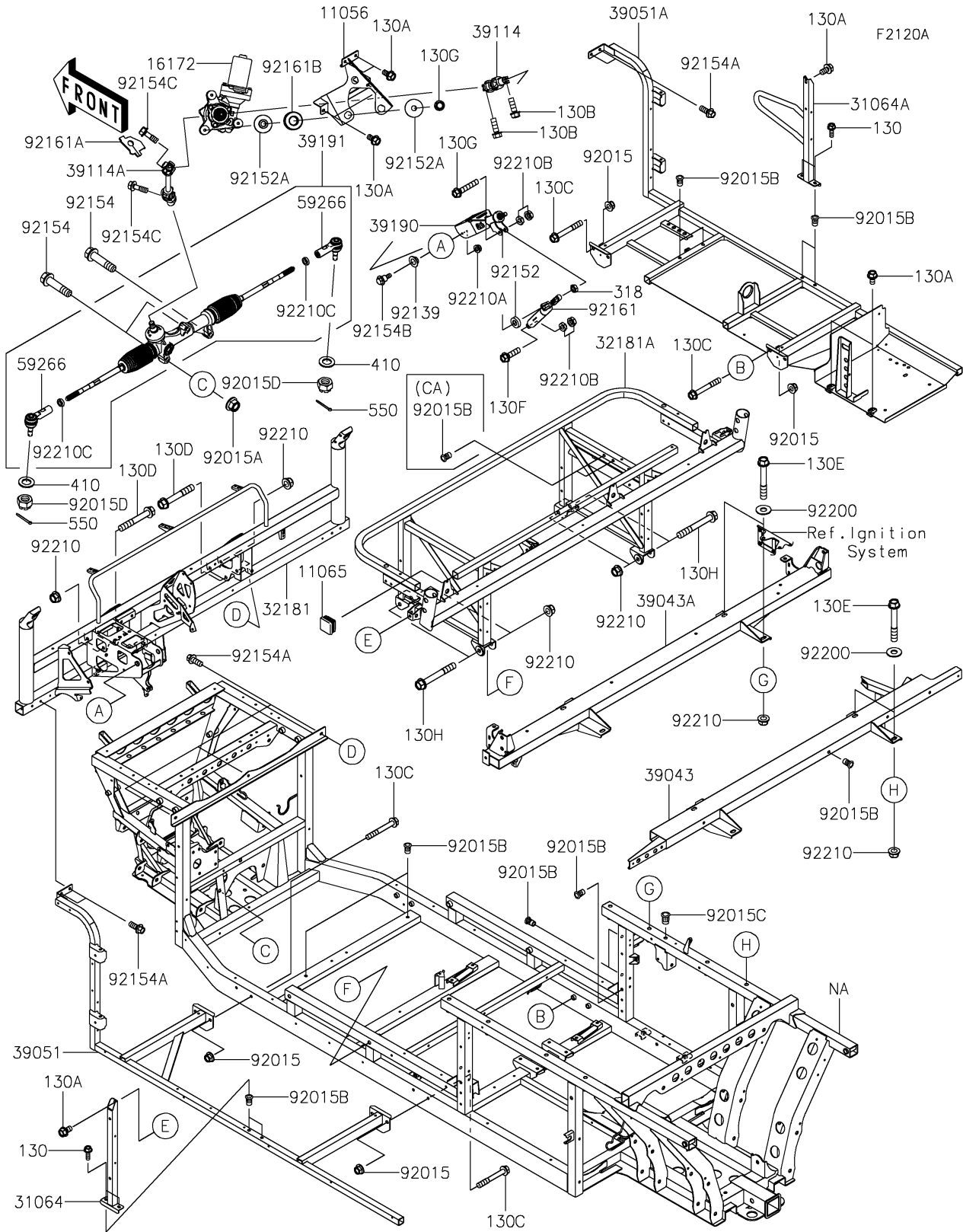


# 2022 MULE PRO-FX™ EPS LE

## PARTS DIAGRAM

### Frame(GPFNN/GPFNL)



# 2022 MULE PRO-FX™ EPS LE

## PARTS LIST

Frame(GPFNN/GPFNL)

**ITEM NAME**

**PART NUMBER**

**QUANTITY**

---