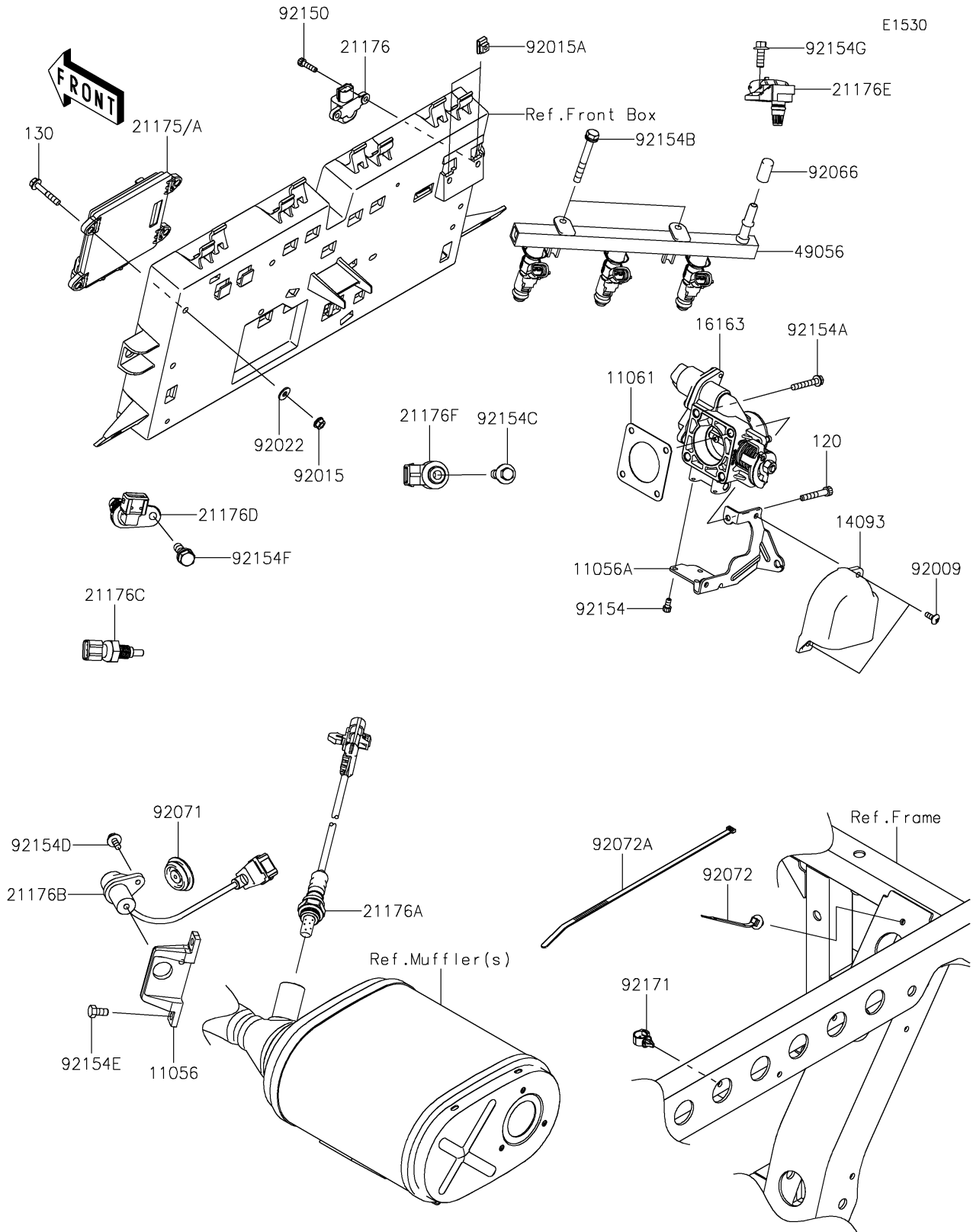


# 2022 MULE PRO-FX™ EPS LE

## PARTS DIAGRAM

### Fuel Injection



# 2022 MULE PRO-FX™ EPS LE

## PARTS LIST Fuel Injection

ITEM NAME	PART NUMBER	QUANTITY
-----------	-------------	----------

---