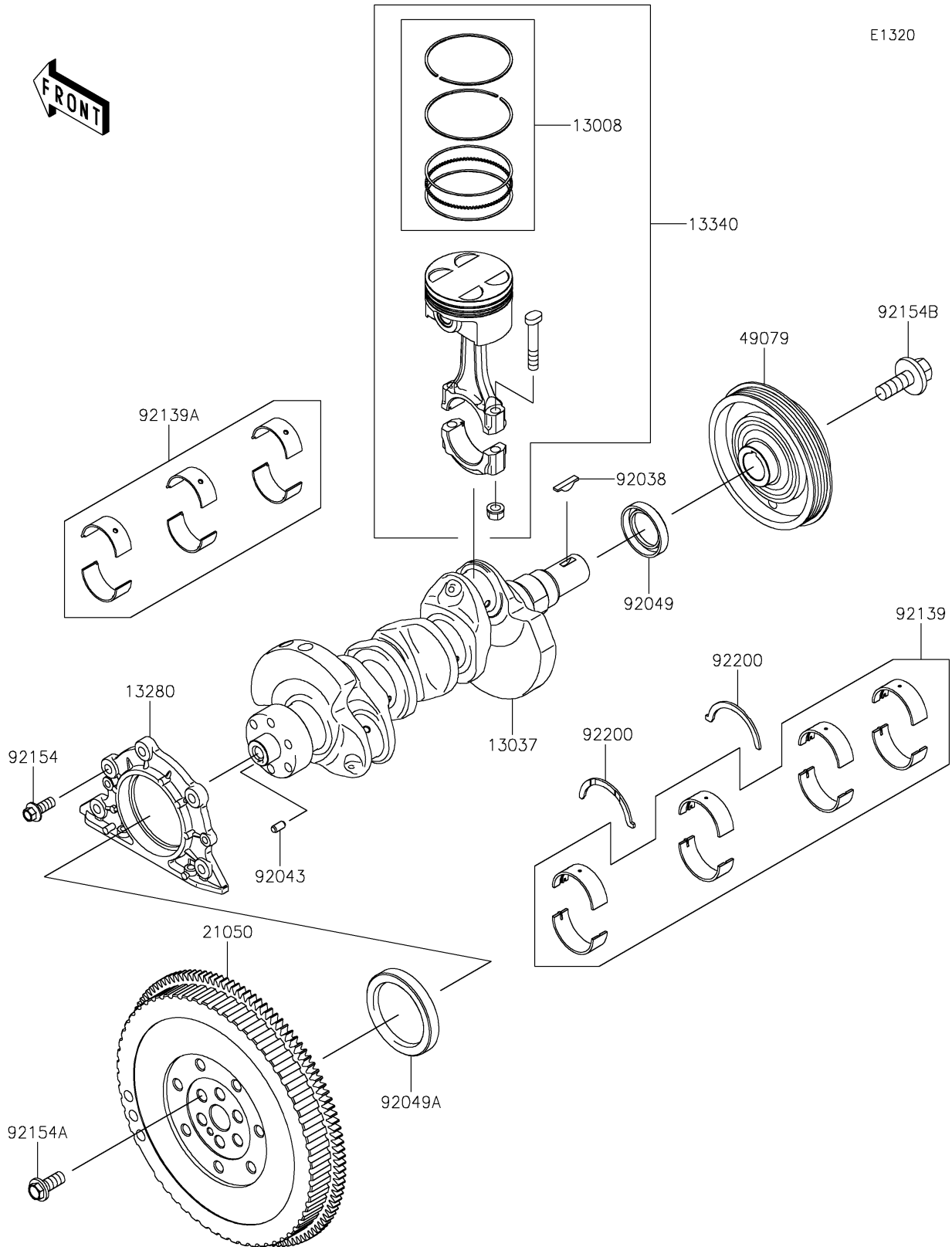


2022 MULE PRO-FX™ EPS LE

PARTS DIAGRAM

Crankshaft/Piston(s)



2022 MULE PRO-FX™ EPS LE

PARTS LIST

Crankshaft/Piston(s)

ITEM NAME	PART NUMBER	QUANTITY
-----------	-------------	----------
