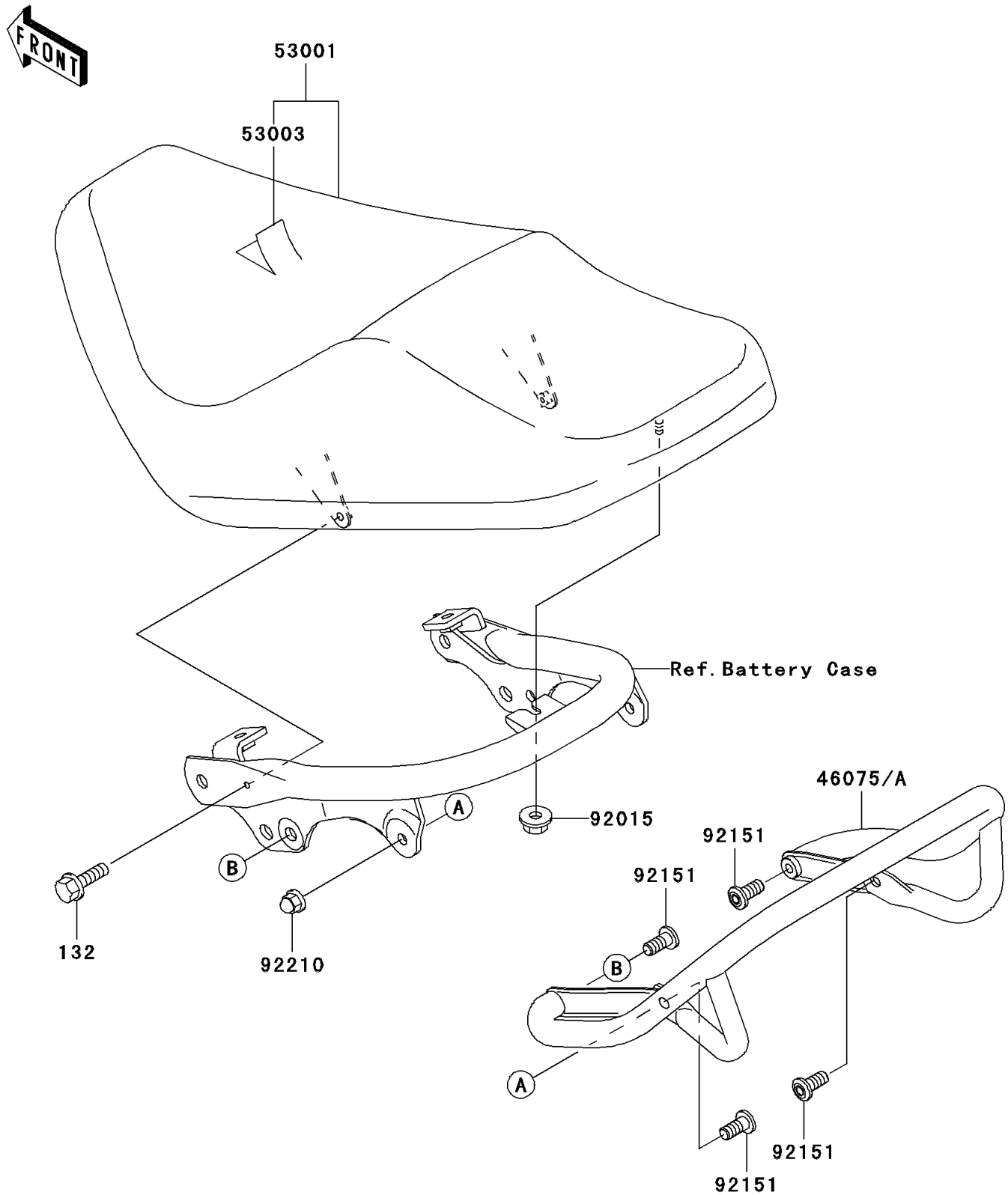


1999 Vulcan 1500 Drifter

PARTS DIAGRAM

Seat

F2510



1999 Vulcan 1500 Drifter

PARTS LIST

Seat

ITEM NAME	PART NUMBER	QUANTITY
-----------	-------------	----------
