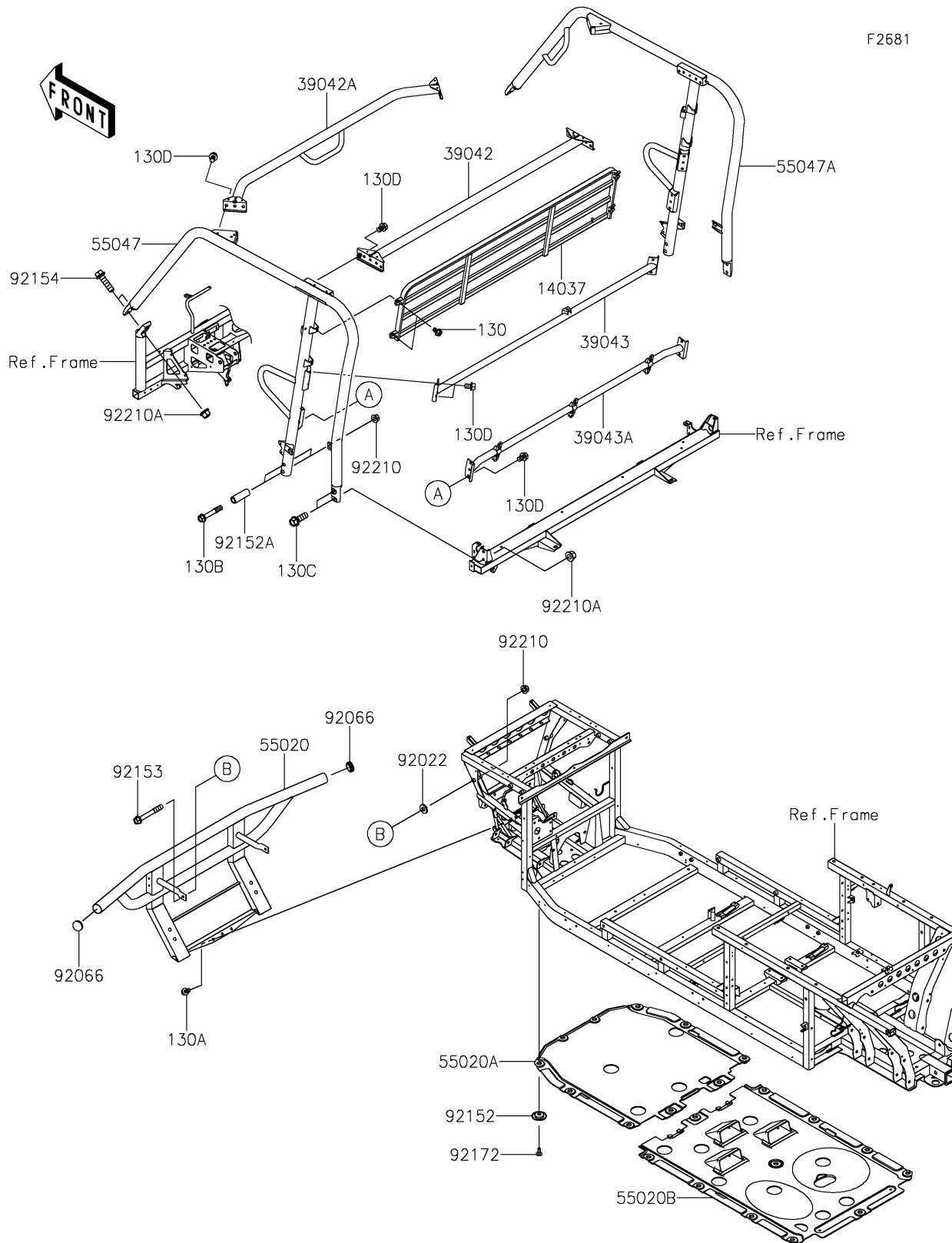


# 2021 MULE PRO-FX™ EPS

## PARTS DIAGRAM

### Guards/Cab Frame



# 2021 MULE PRO-FX™ EPS

## PARTS LIST

### Guards/Cab Frame

**ITEM NAME**

**PART NUMBER**

**QUANTITY**

---