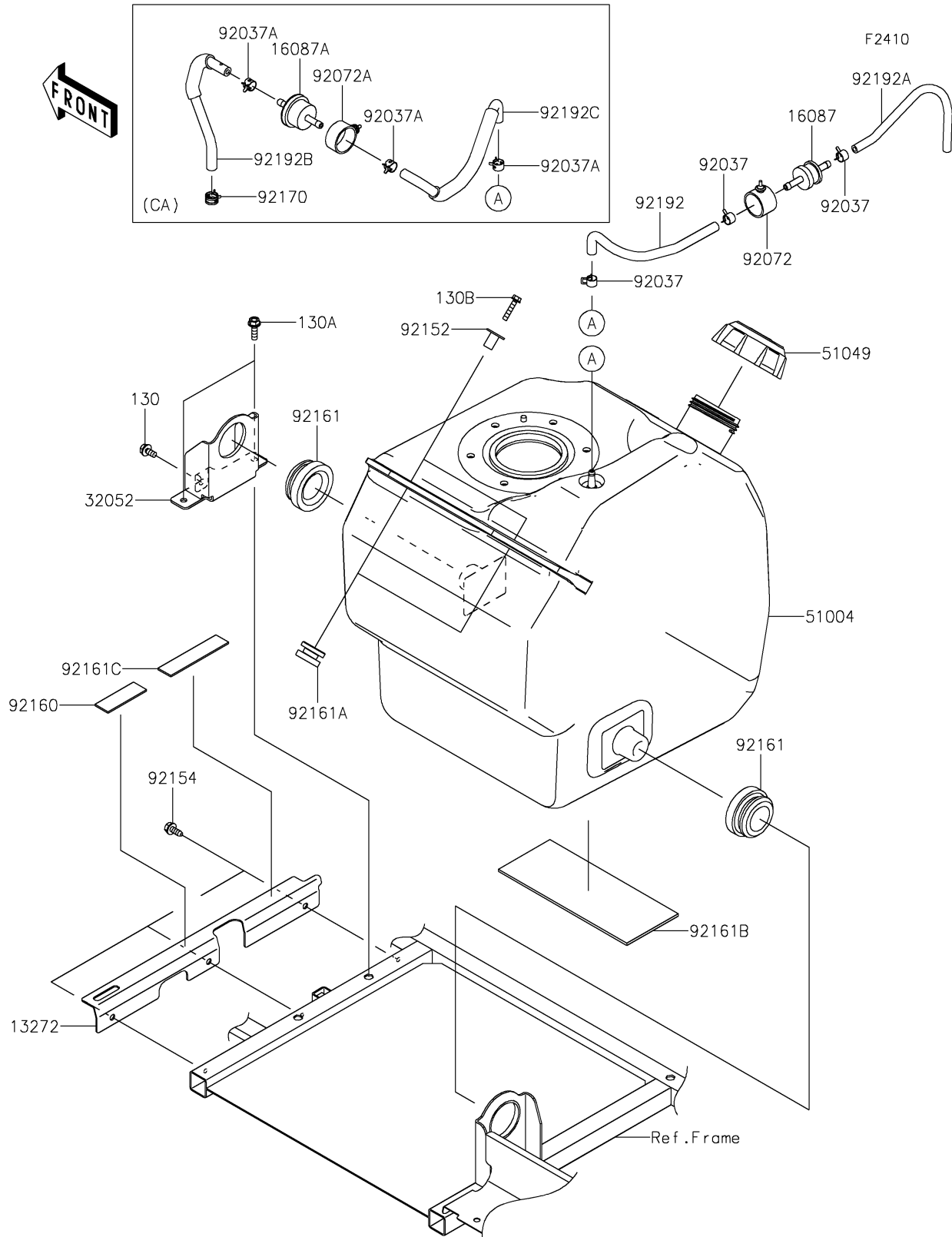


# 2023 MULE PRO-FX™ EPS

## PARTS DIAGRAM

### Fuel Tank



# 2023 MULE PRO-FX™ EPS

## PARTS LIST

Fuel Tank

**ITEM NAME**

**PART NUMBER**

**QUANTITY**

---