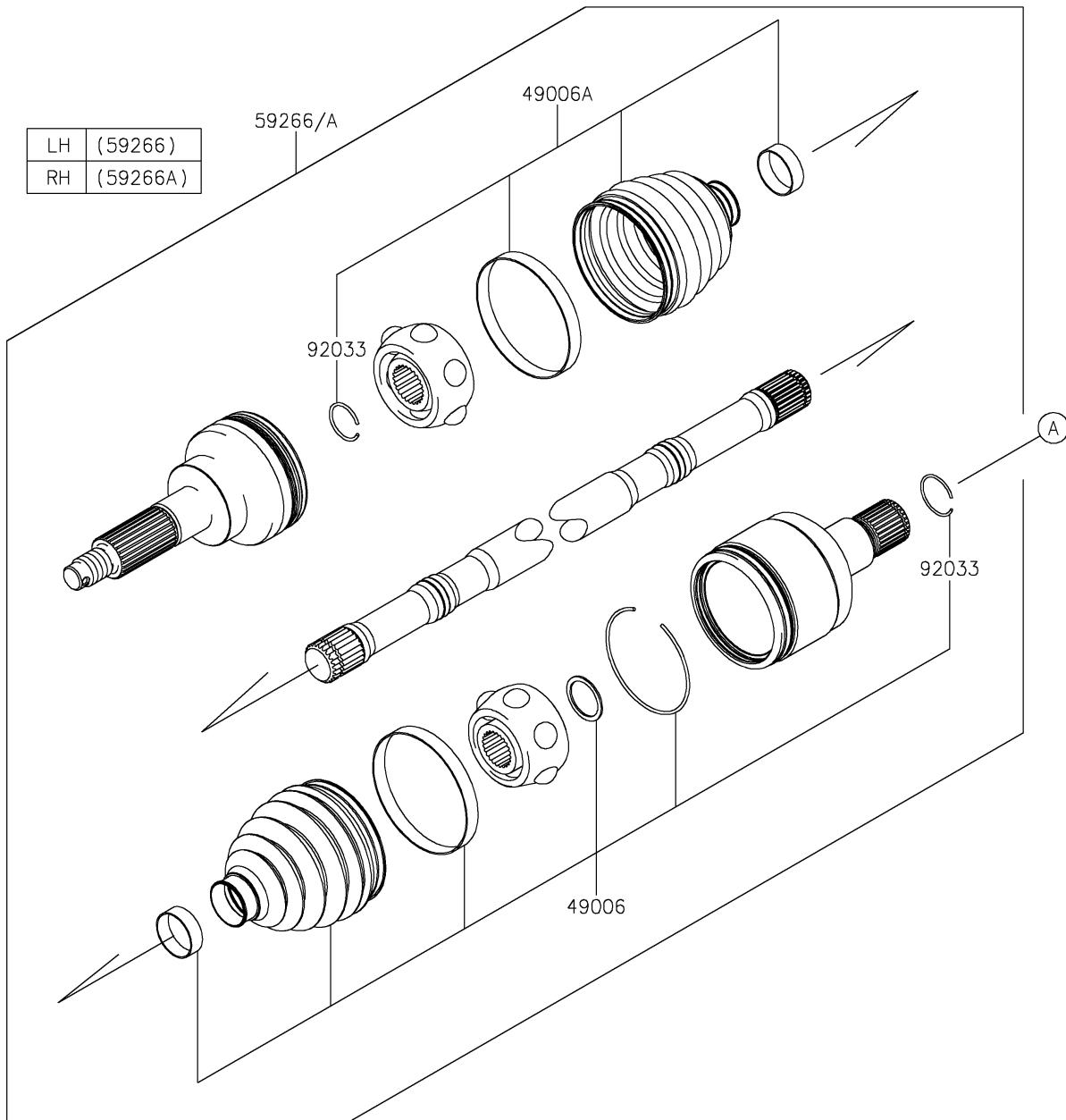
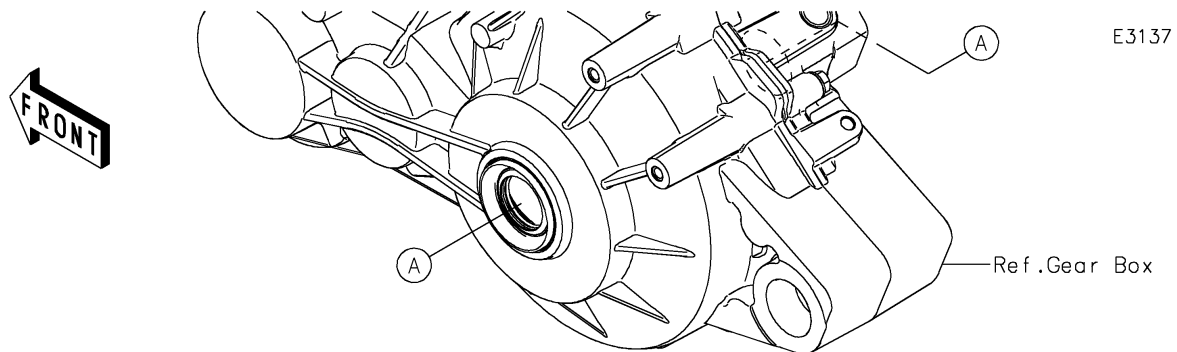


# 2023 MULE PRO-FX™ EPS

## PARTS DIAGRAM

### Drive Shaft-Rear



# 2023 MULE PRO-FX™ EPS

## PARTS LIST

### Drive Shaft-Rear

**ITEM NAME**

**PART NUMBER**

**QUANTITY**

---