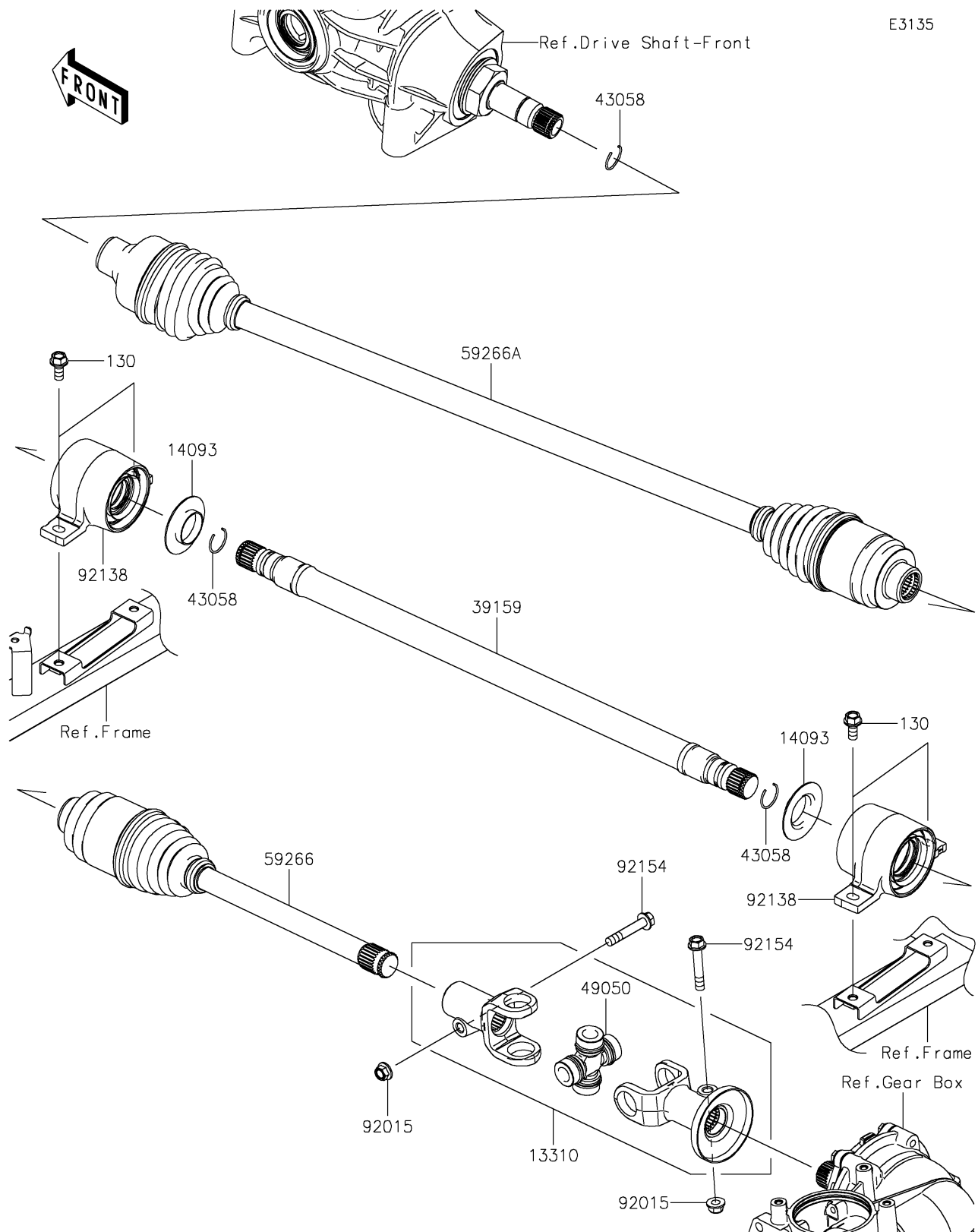


# 2022 MULE PRO-FX™ EPS

## PARTS DIAGRAM

### Drive Shaft-Propeller



# 2022 MULE PRO-FX™ EPS

## PARTS LIST

### Drive Shaft-Propeller



**ITEM NAME**

**PART NUMBER**

**QUANTITY**

---