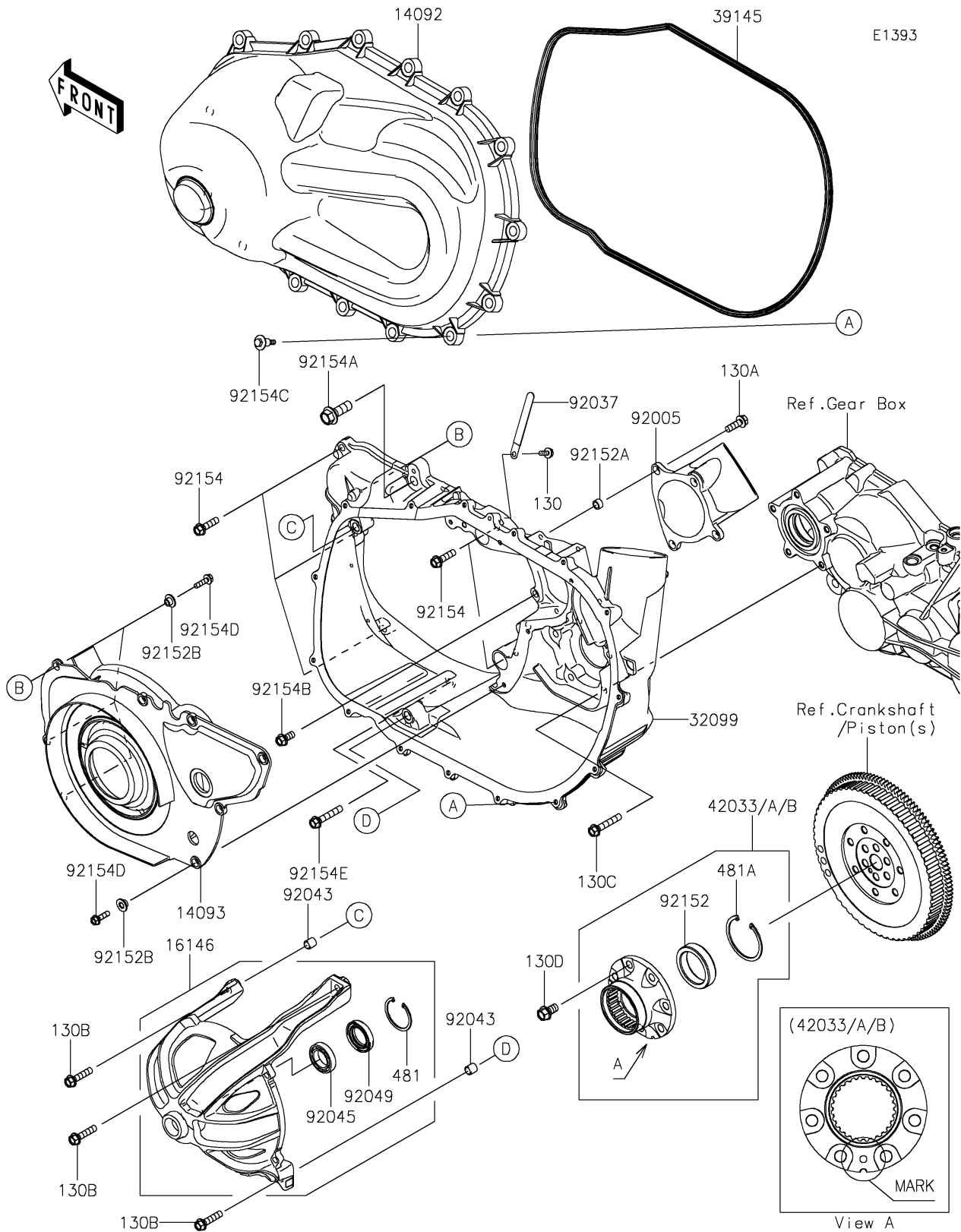


# 2021 MULE PRO-FX™ EPS

## PARTS DIAGRAM

### Converter Cover



# 2021 MULE PRO-FX™ EPS

## PARTS LIST

### Converter Cover

**ITEM NAME**

**PART NUMBER**

**QUANTITY**

---