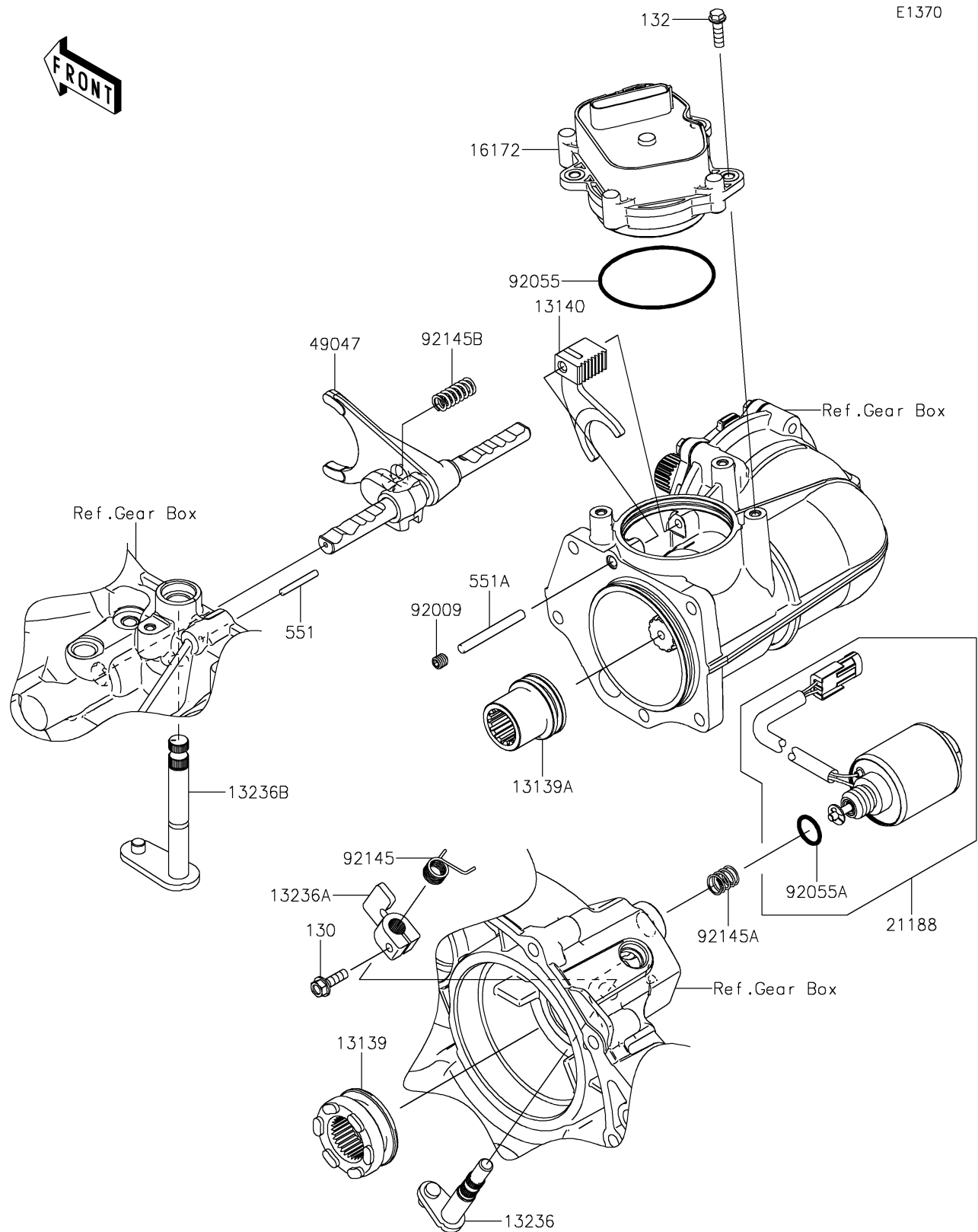


# 2023 MULE PRO-FX™

## PARTS DIAGRAM

### Gear Change Mechanism



# 2023 MULE PRO-FX™

## PARTS LIST

### Gear Change Mechanism

**ITEM NAME**

**PART NUMBER**

**QUANTITY**

---