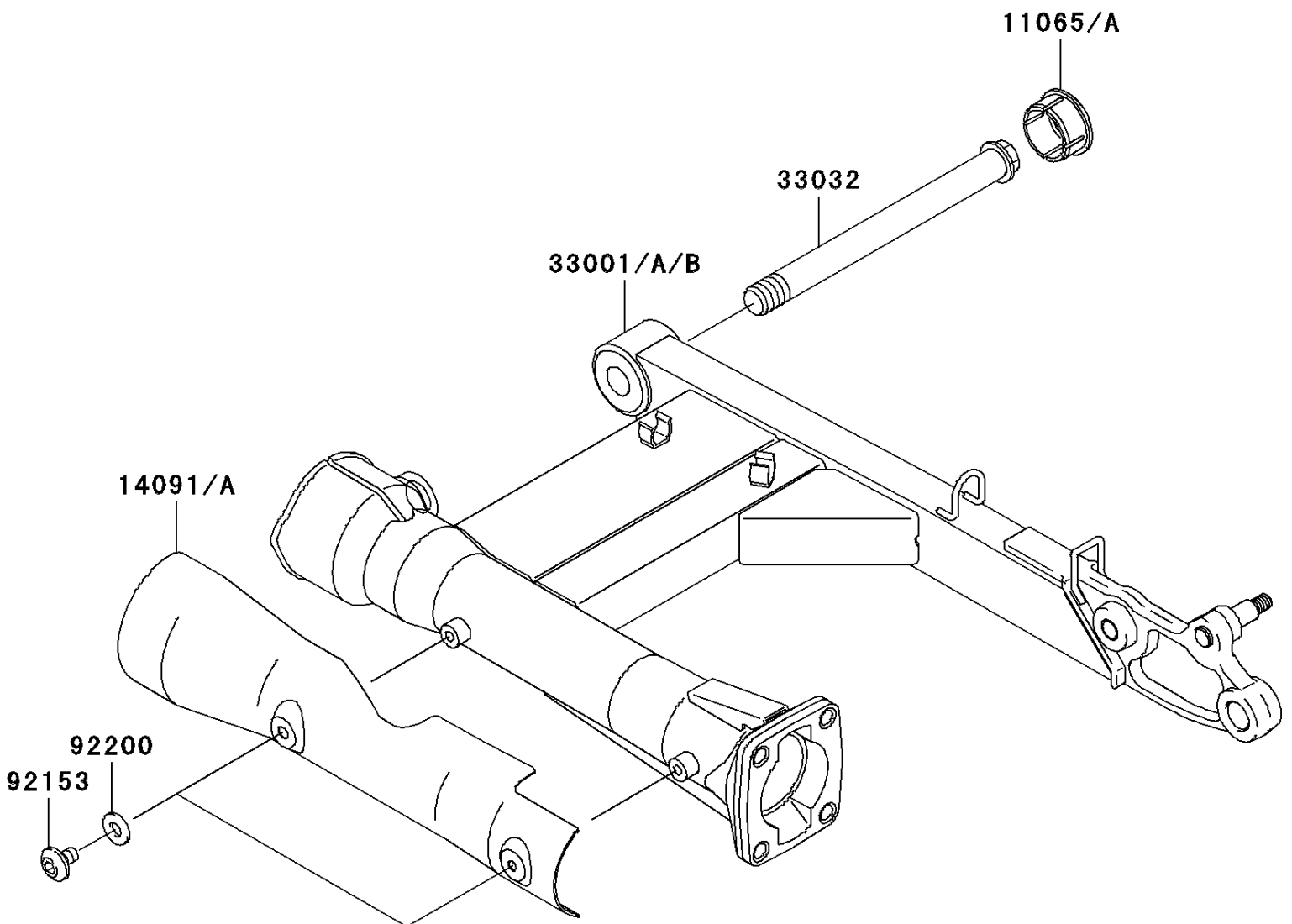


# 2008 Vulcan® 1600 Mean Streak®

## PARTS DIAGRAM

### Swingarm

F2141



# 2008 Vulcan® 1600 Mean Streak®

## PARTS LIST

### Swingarm

ITEM NAME	PART NUMBER	QUANTITY
CAP,SWING ARM (Ref # 11065)	11065-0243	1
SHAFT-SWING ARM (Ref # 33032)	33032-1181	1
BOLT,SOCKET,6X10 (Ref # 92153)	92153-0411	2
WASHER,6.5X14.5X1.5 (Ref # 92200)	92200-3775	2
COVER,SWING ARM (Ref # 14091)	14091-0060	1
COVER,SWING ARM,P.RED (Ref # 14091A)	14091-0517-796	1
ARM-COMP-SWING,BLACK (Ref # 33001A)	33001-0075-18R	1
ARM-COMP-SWING,P.RED (Ref # 33001B)	33001-0075-796	1