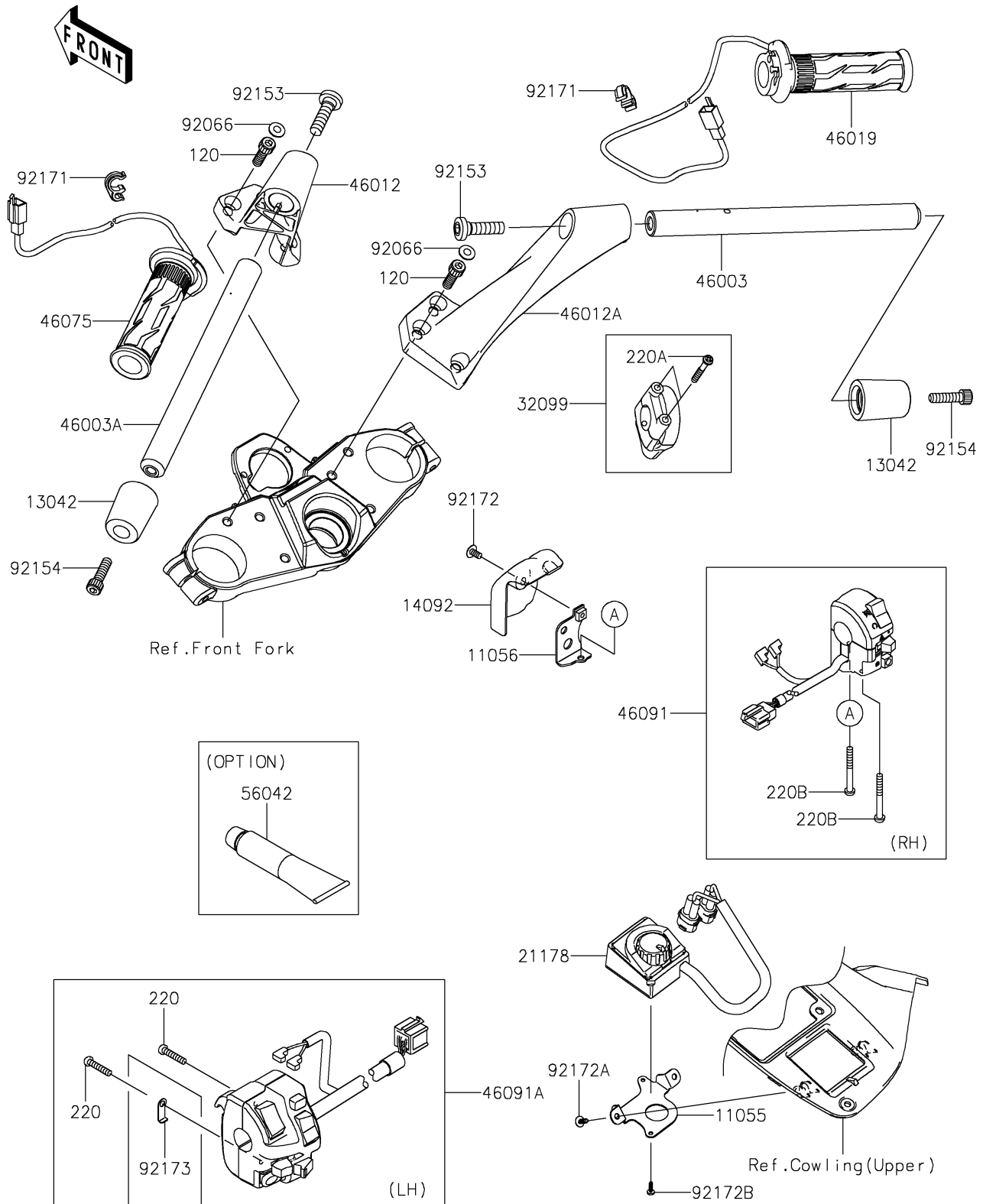


2022 Concours® 14 ABS

PARTS DIAGRAM

Handlebar

F2310



2022 Concours® 14 ABS

PARTS LIST

Handlebar

ITEM NAME

PART NUMBER

QUANTITY
