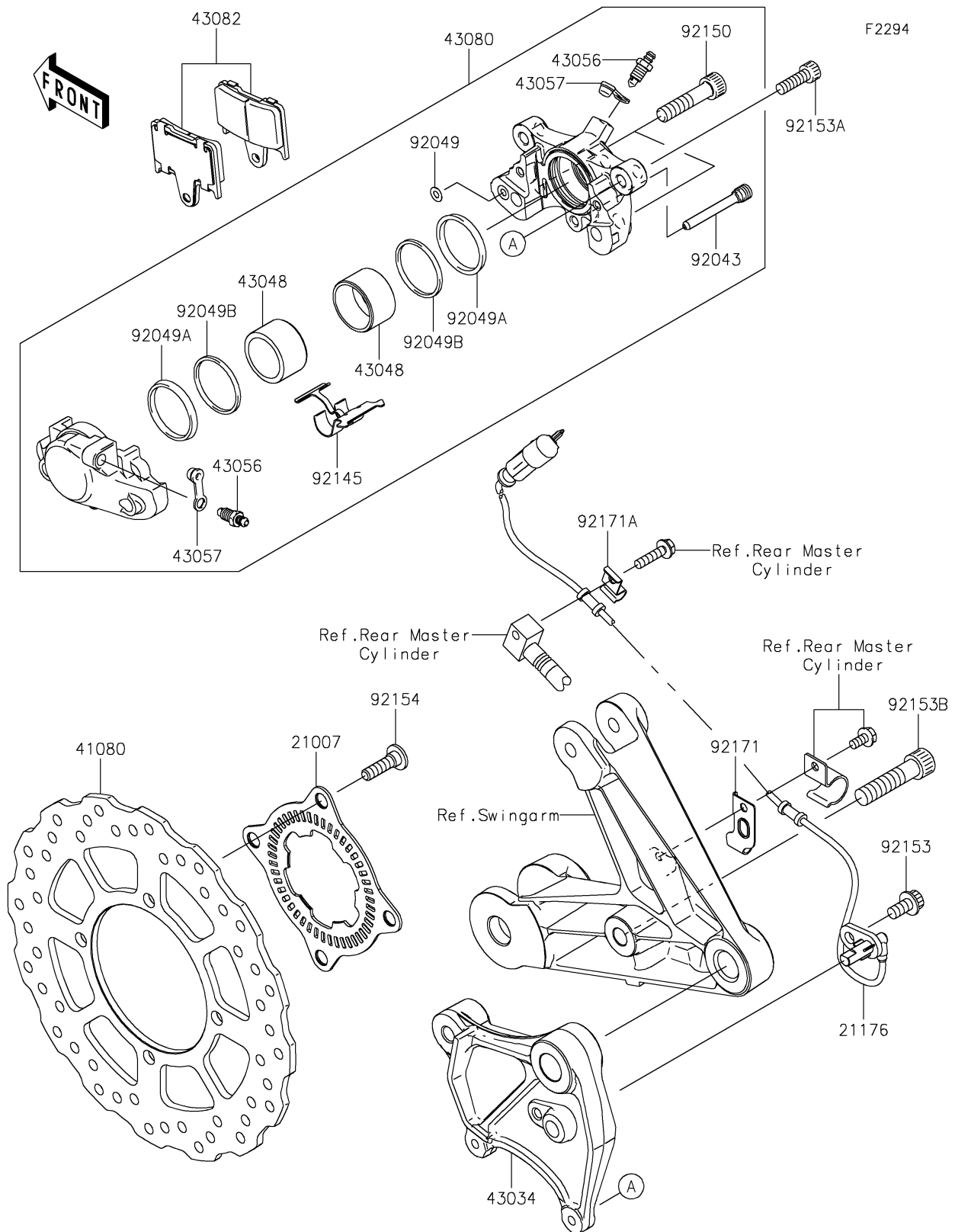


# 2022 Concours®14 ABS

## PARTS DIAGRAM

### Rear Brake



# 2022 Concours® 14 ABS

## PARTS LIST

### Rear Brake

**ITEM NAME**

**PART NUMBER**

**QUANTITY**

---