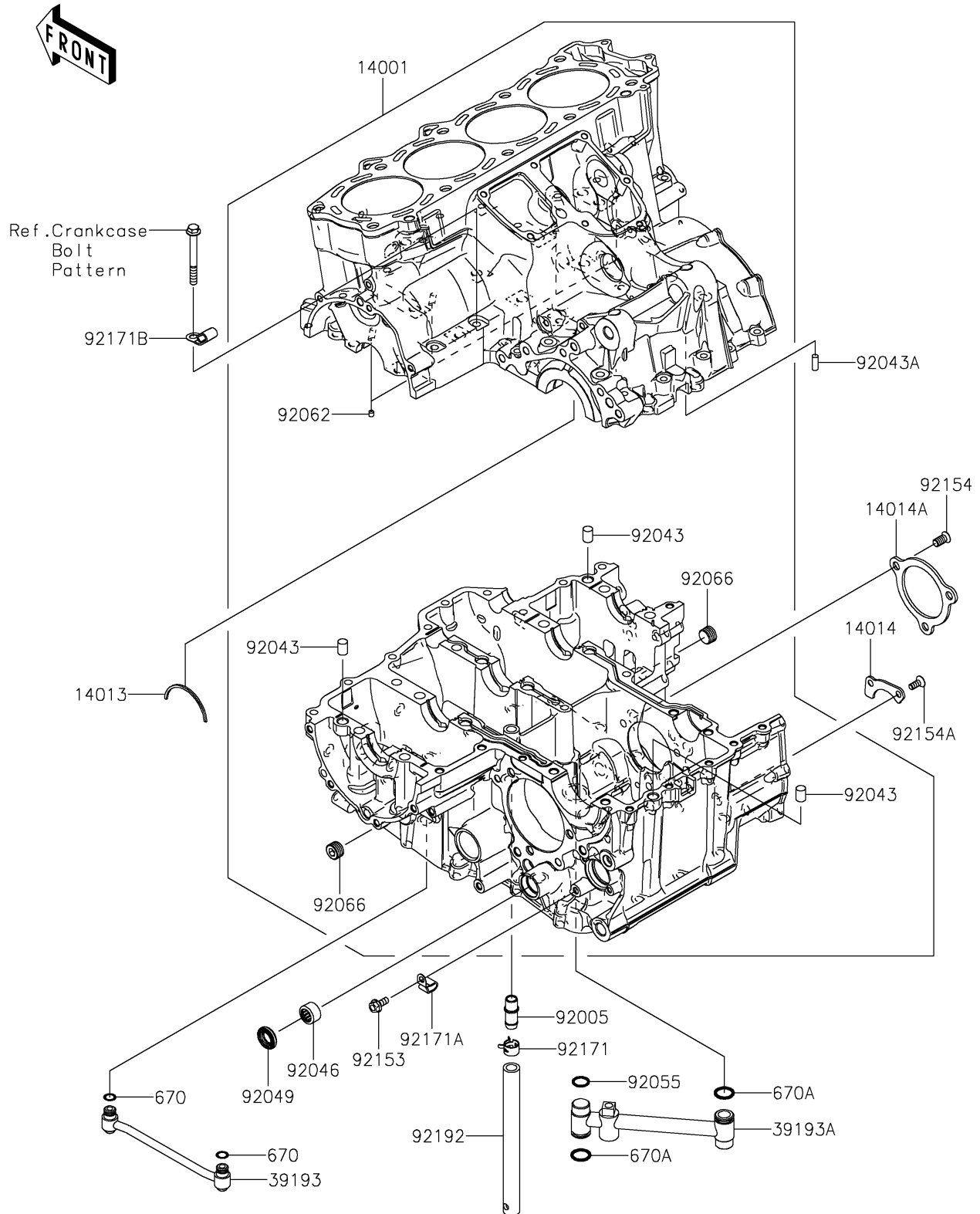


2022 Concours® 14 ABS

PARTS DIAGRAM

Crankcase

E1411



2022 Concours® 14 ABS

PARTS LIST

Crankcase

ITEM NAME

PART NUMBER

QUANTITY
