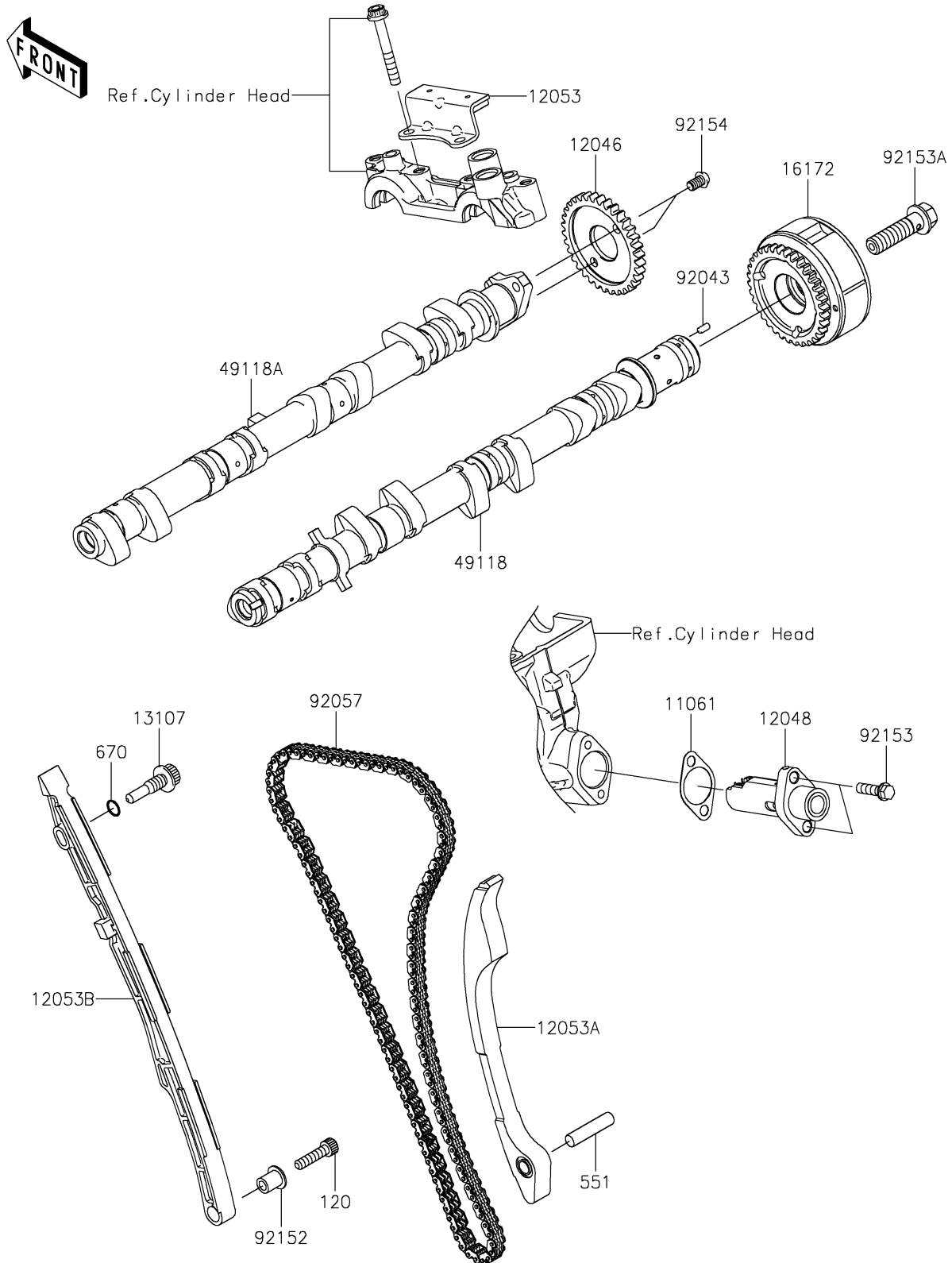


2022 Concours® 14 ABS

PARTS DIAGRAM

Camshaft(s)/Tensioner

E1230



2022 Concours® 14 ABS

PARTS LIST

Camshaft(s)/Tensioner

ITEM NAME

PART NUMBER

QUANTITY
