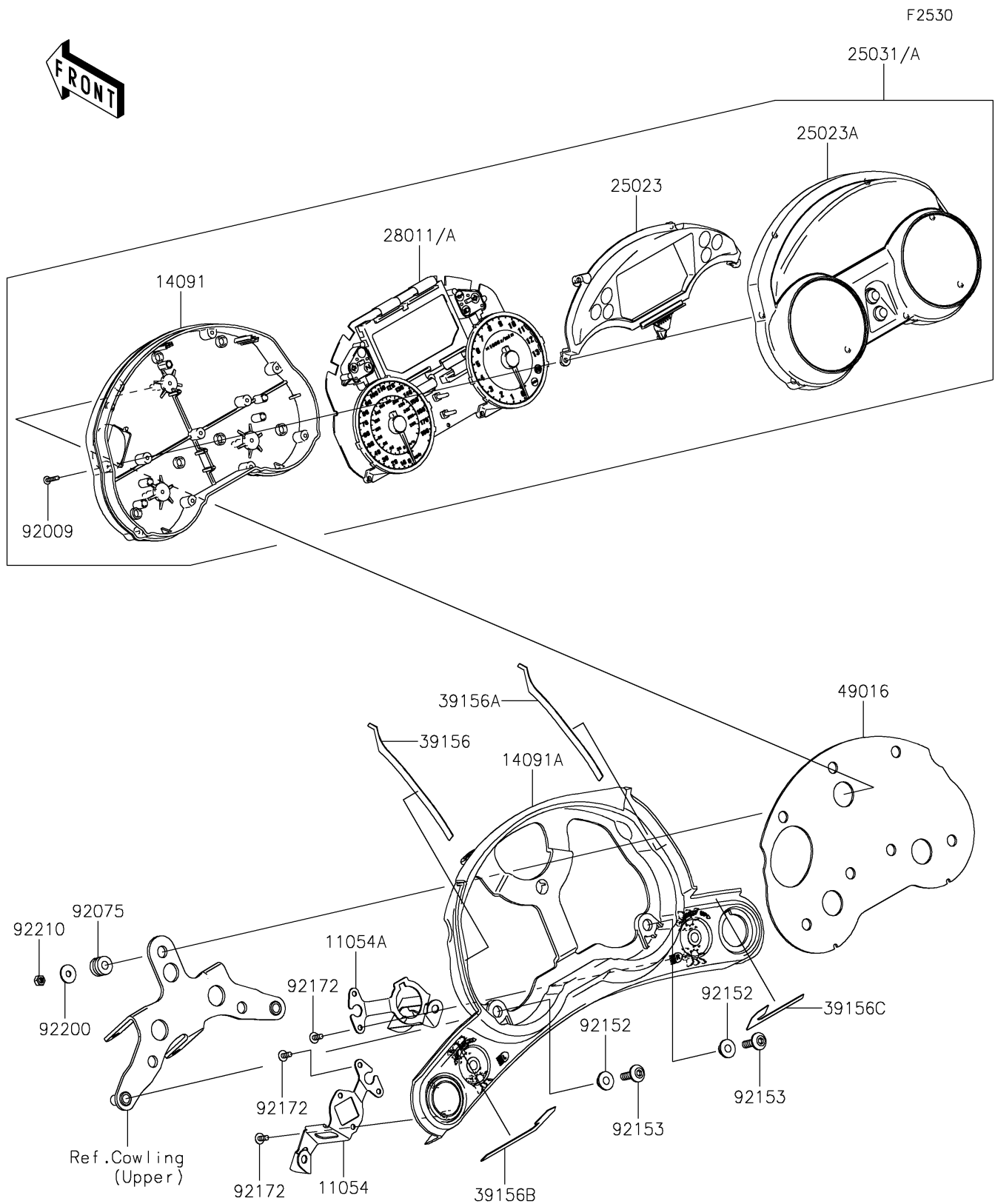


2021 CONCOURS® 14 ABS

PARTS DIAGRAM

Meter(s)



2021 CONCOURS® 14 ABS

PARTS LIST

Meter(s)

ITEM NAME

PART NUMBER

QUANTITY
