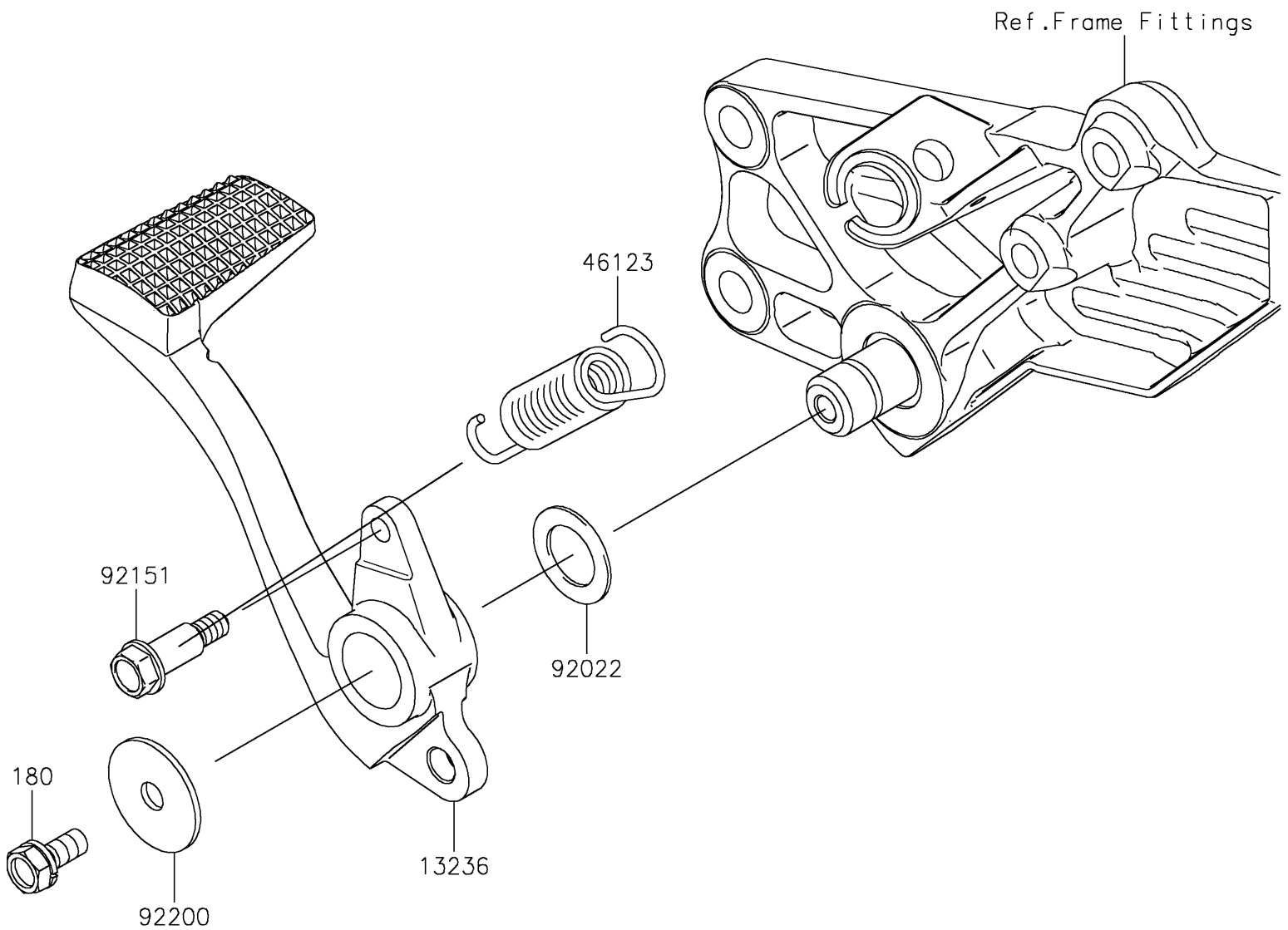


2021 CONCOURS® 14 ABS

PARTS DIAGRAM

Brake Pedal/Torque Link

F2260



2021 CONCOURS® 14 ABS

PARTS LIST

Brake Pedal/Torque Link

ITEM NAME

PART NUMBER

QUANTITY
