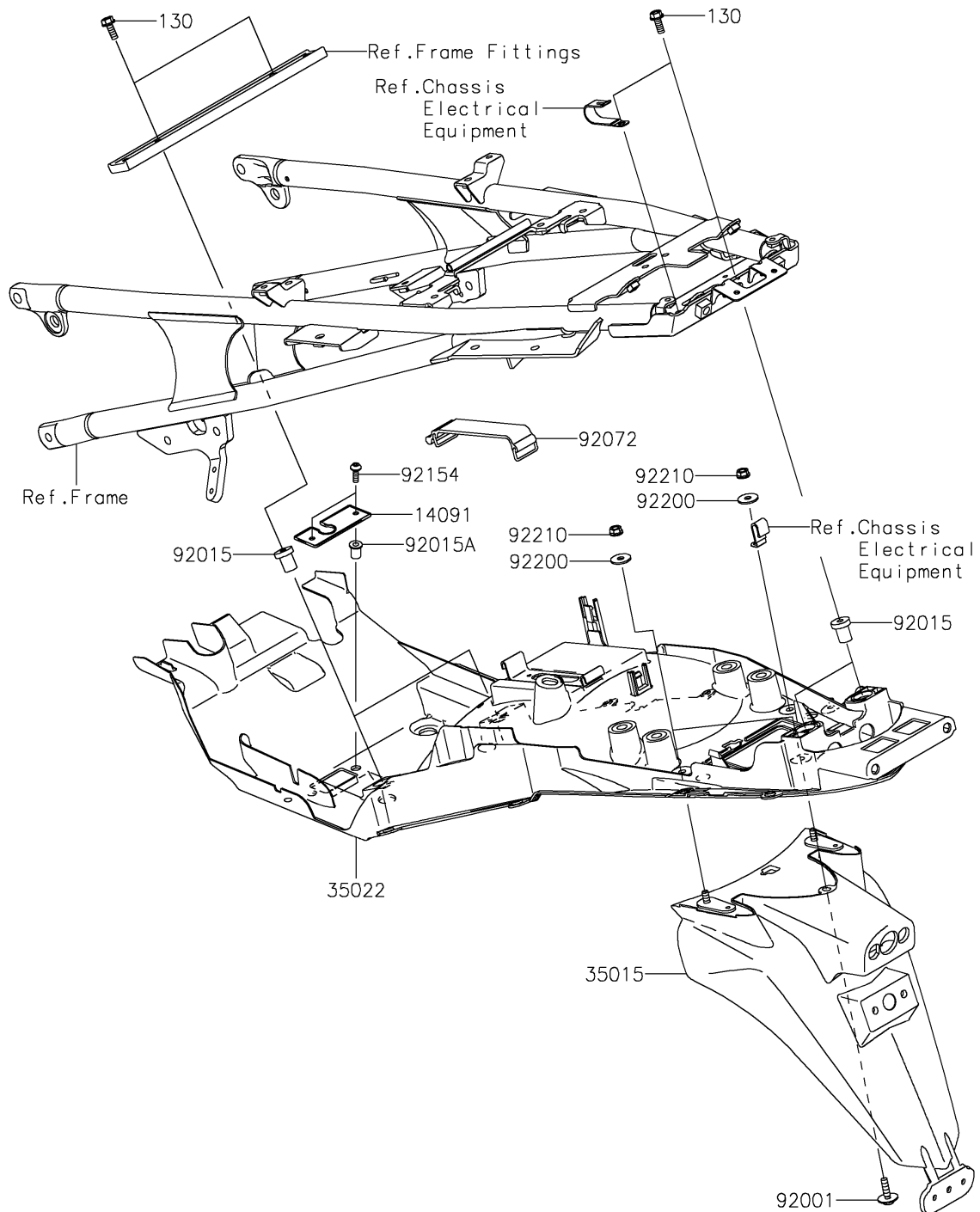


# 2021 CONCOURS® 14 ABS

## PARTS DIAGRAM

### Rear Fender(s)

F2172



# 2021 CONCOURS®14 ABS

## PARTS LIST

Rear Fender(s)

**ITEM NAME**

**PART NUMBER**

**QUANTITY**

---