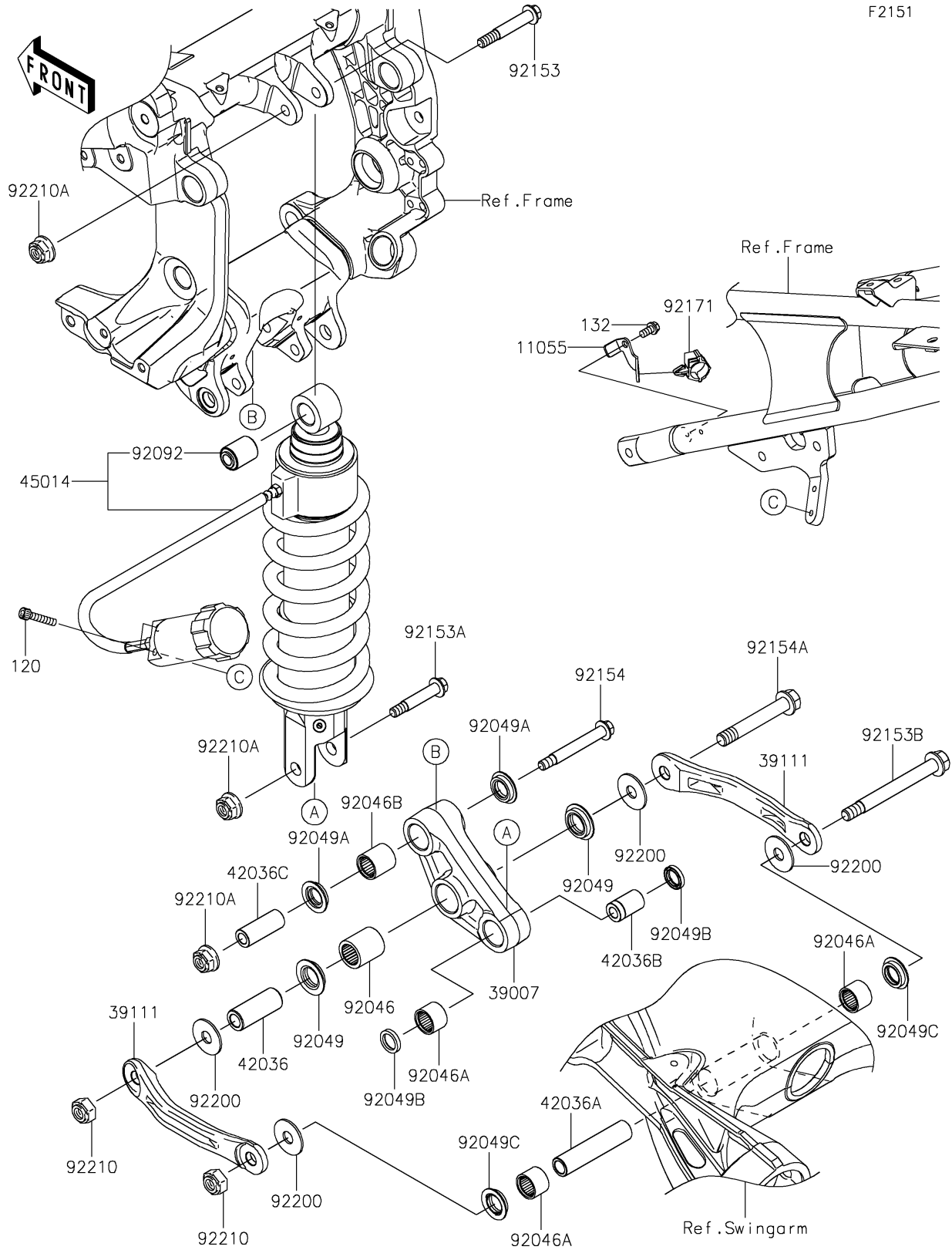


2021 CONCOURS® 14 ABS

PARTS DIAGRAM

Suspension/Shock Absorber



F2151

2021 CONCOURS® 14 ABS

PARTS LIST

Suspension/Shock Absorber

ITEM NAME

PART NUMBER

QUANTITY
