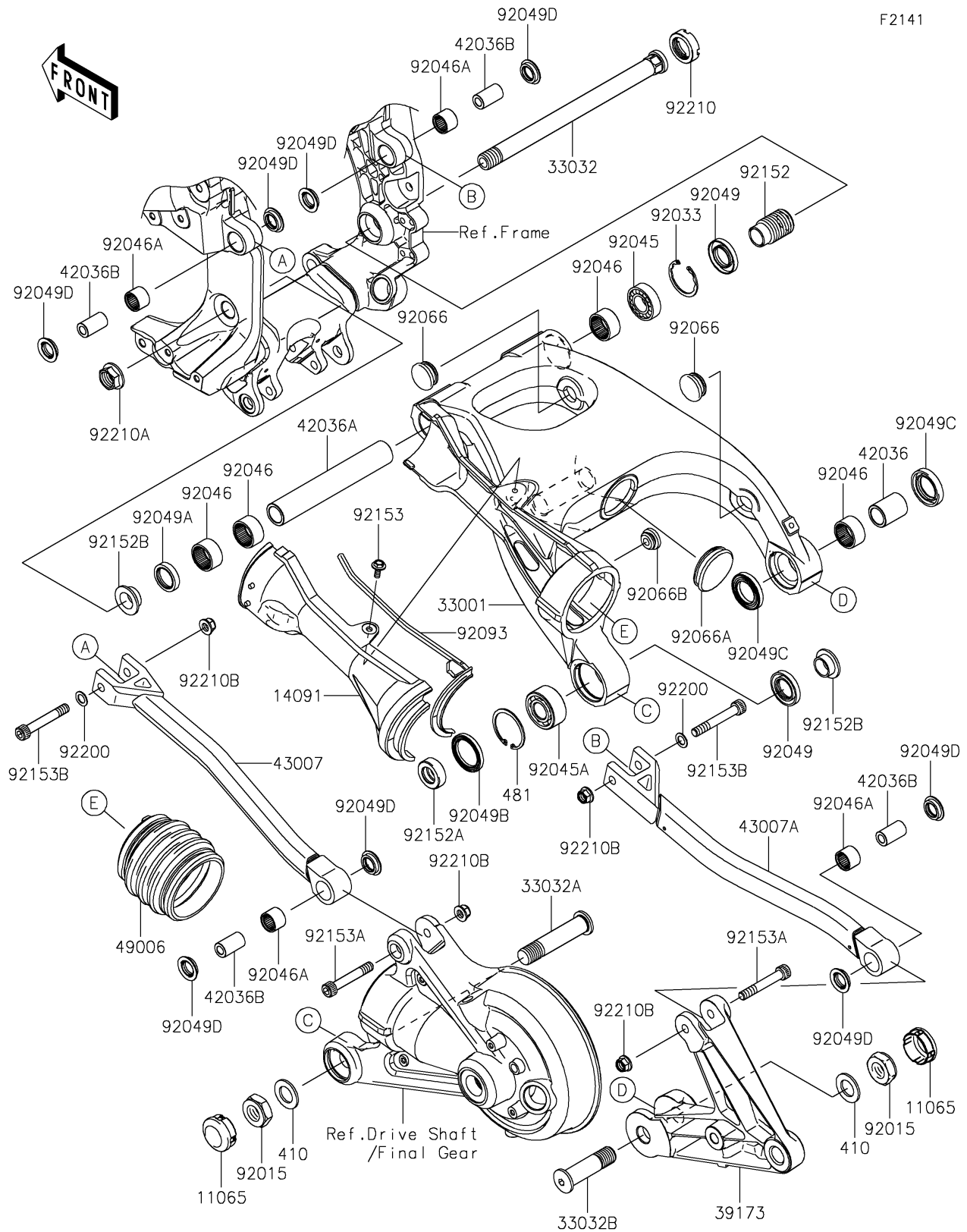


2021 CONCOURS® 14 ABS

PARTS DIAGRAM

Swingarm



2021 CONCOURS® 14 ABS

PARTS LIST

Swingarm

ITEM NAME

PART NUMBER

QUANTITY
