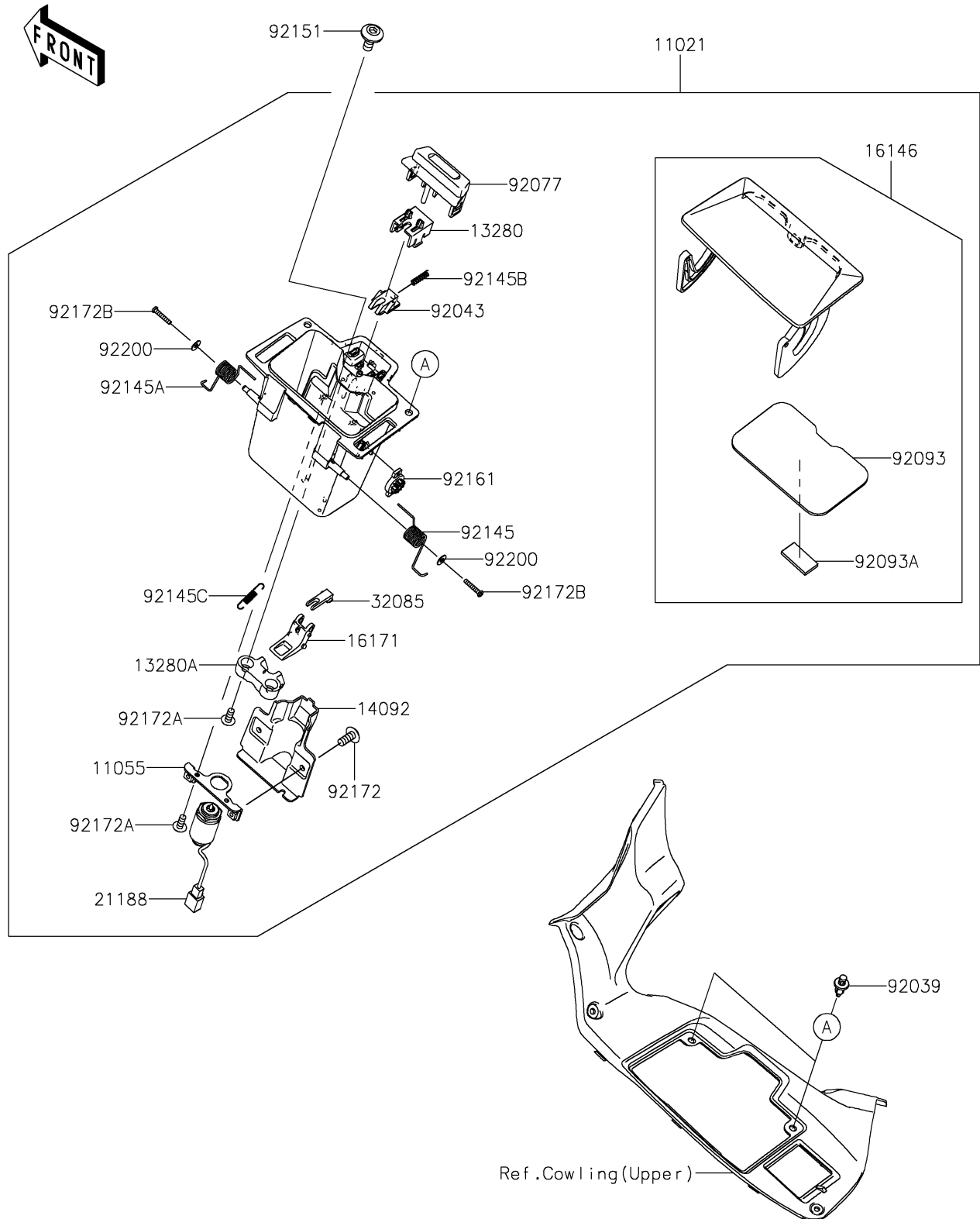


2021 CONCOURS® 14 ABS

PARTS DIAGRAM

Front Box

F2135



2021 CONCOURS® 14 ABS

PARTS LIST

Front Box

ITEM NAME

PART NUMBER

QUANTITY
