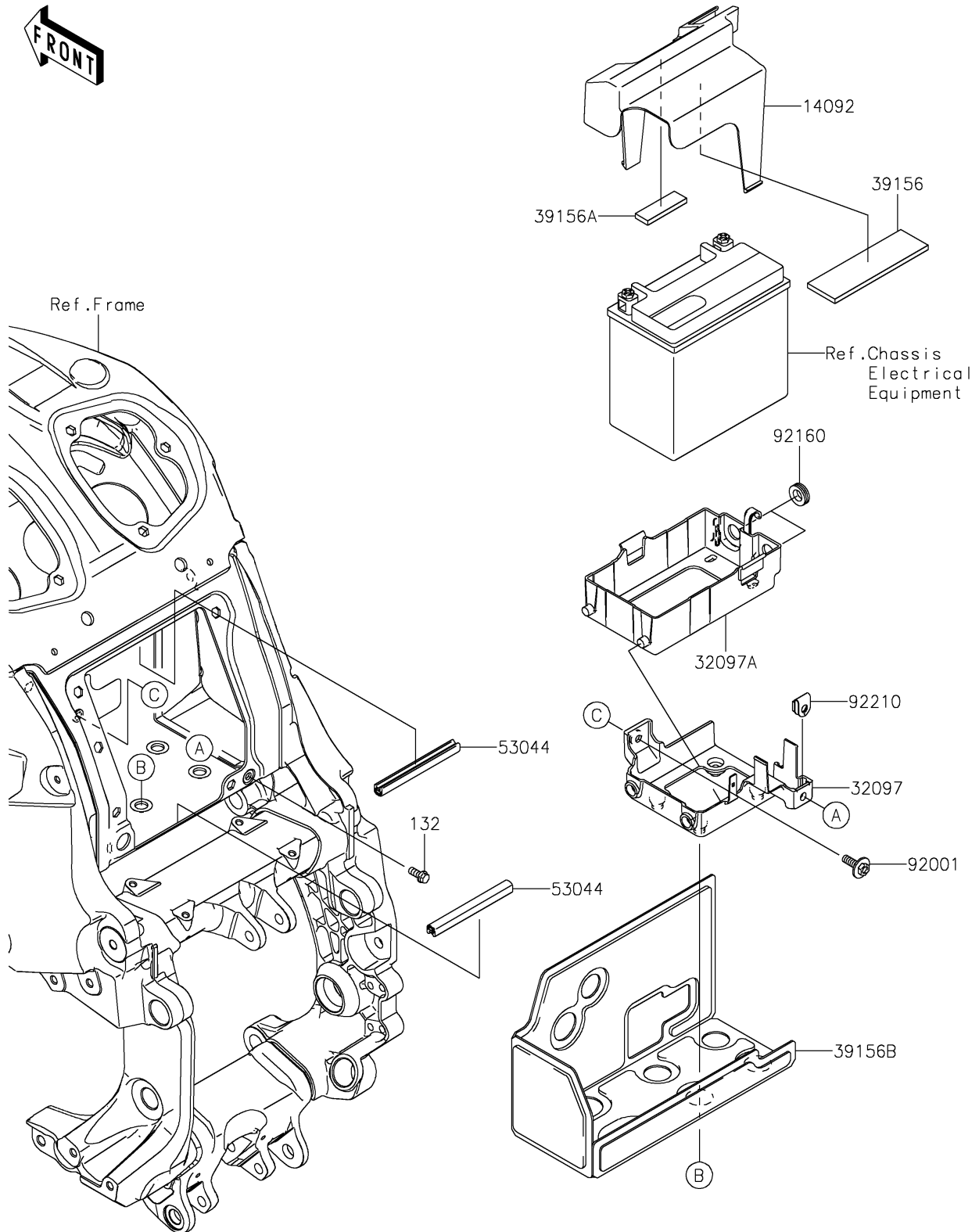


2021 CONCOURS® 14 ABS

PARTS DIAGRAM

Battery Case

F2132



2021 CONCOURS® 14 ABS

PARTS LIST

Battery Case

ITEM NAME

PART NUMBER

QUANTITY
