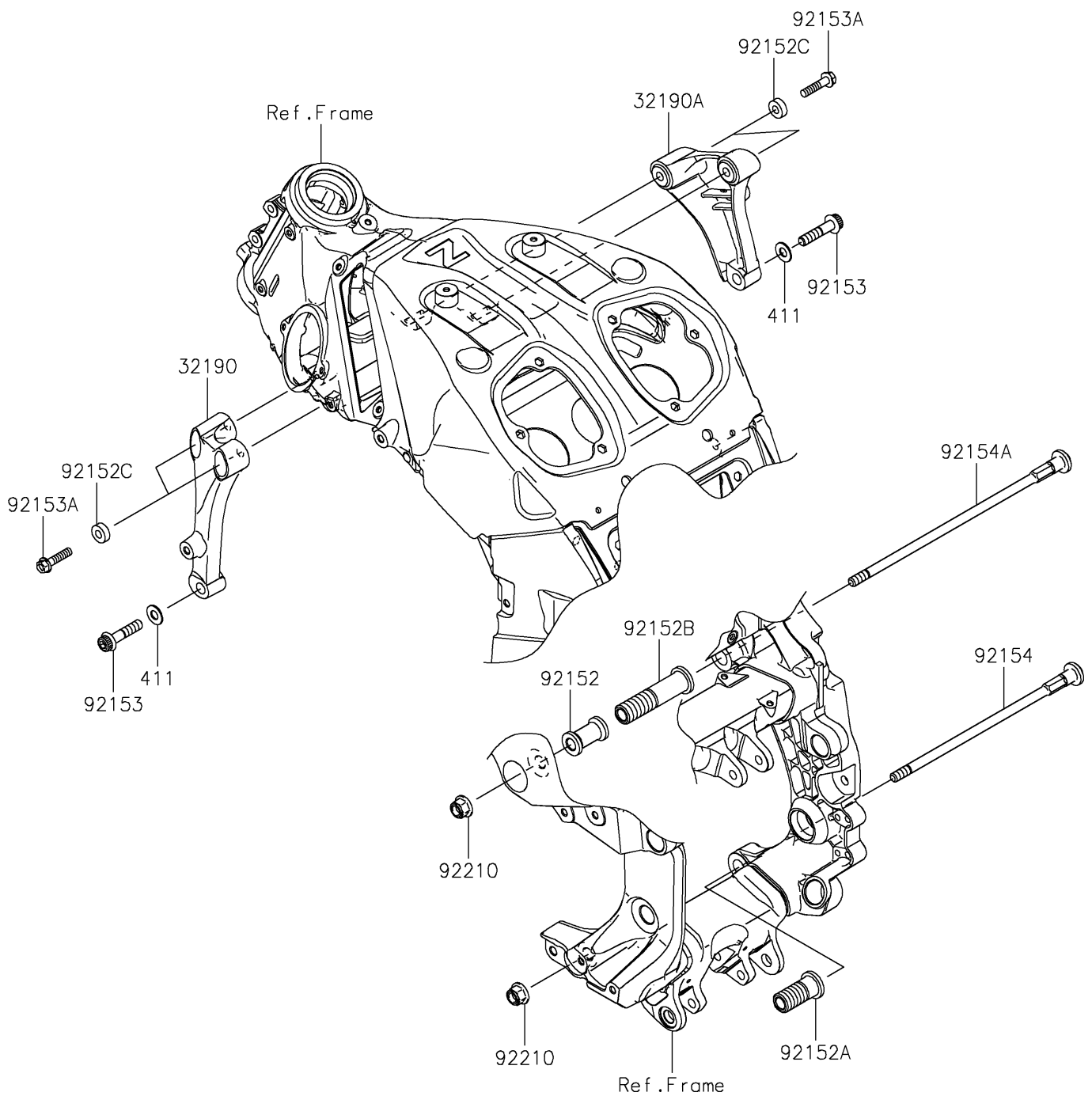


2021 CONCOURS®14 ABS

PARTS DIAGRAM

Engine Mount

F2122



2021 CONCOURS® 14 ABS

PARTS LIST Engine Mount

ITEM NAME	PART NUMBER	QUANTITY
-----------	-------------	----------
