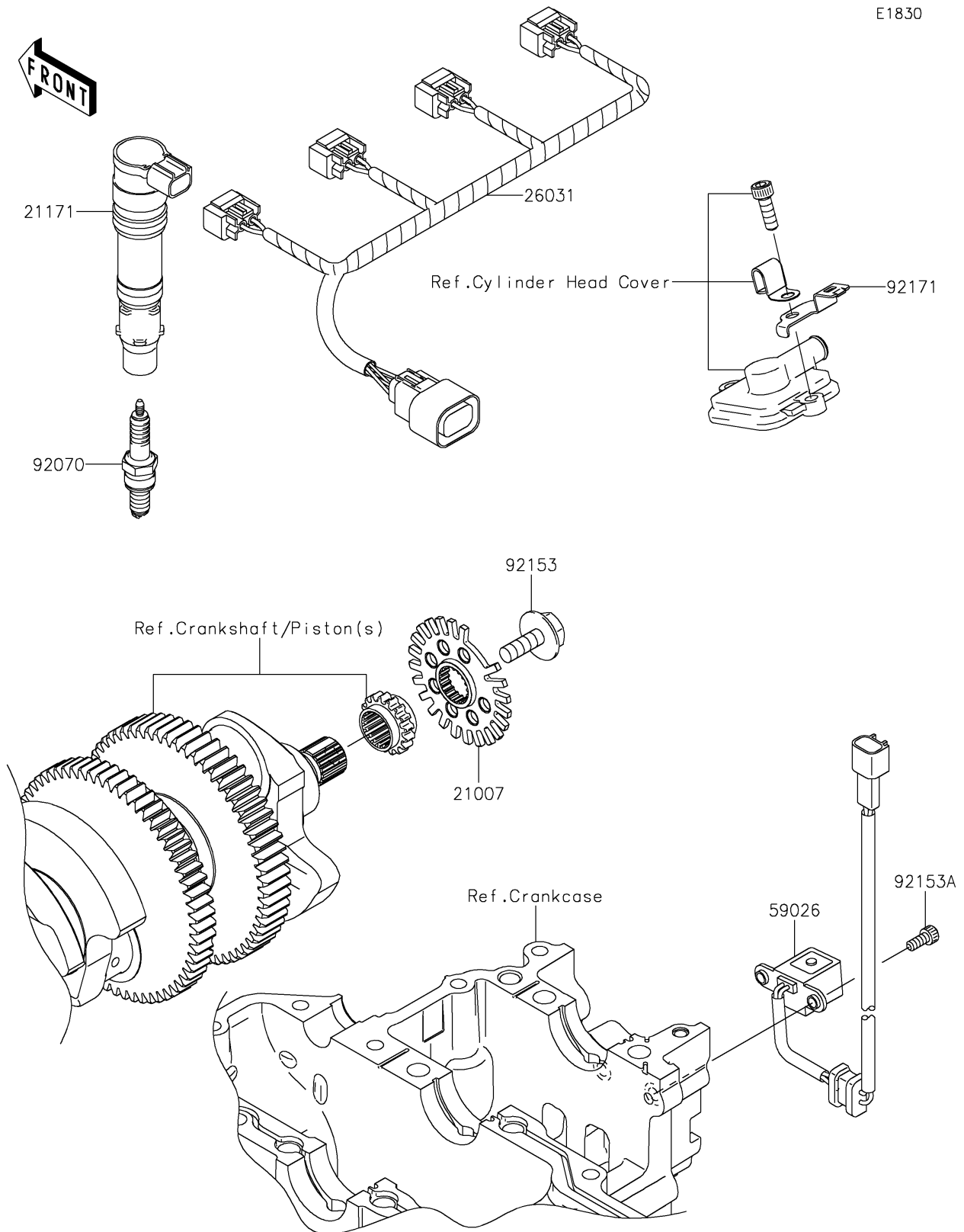


2021 CONCOURS® 14 ABS

PARTS DIAGRAM

Ignition System

E1830



2021 CONCOURS® 14 ABS

PARTS LIST

Ignition System

ITEM NAME

PART NUMBER

QUANTITY
