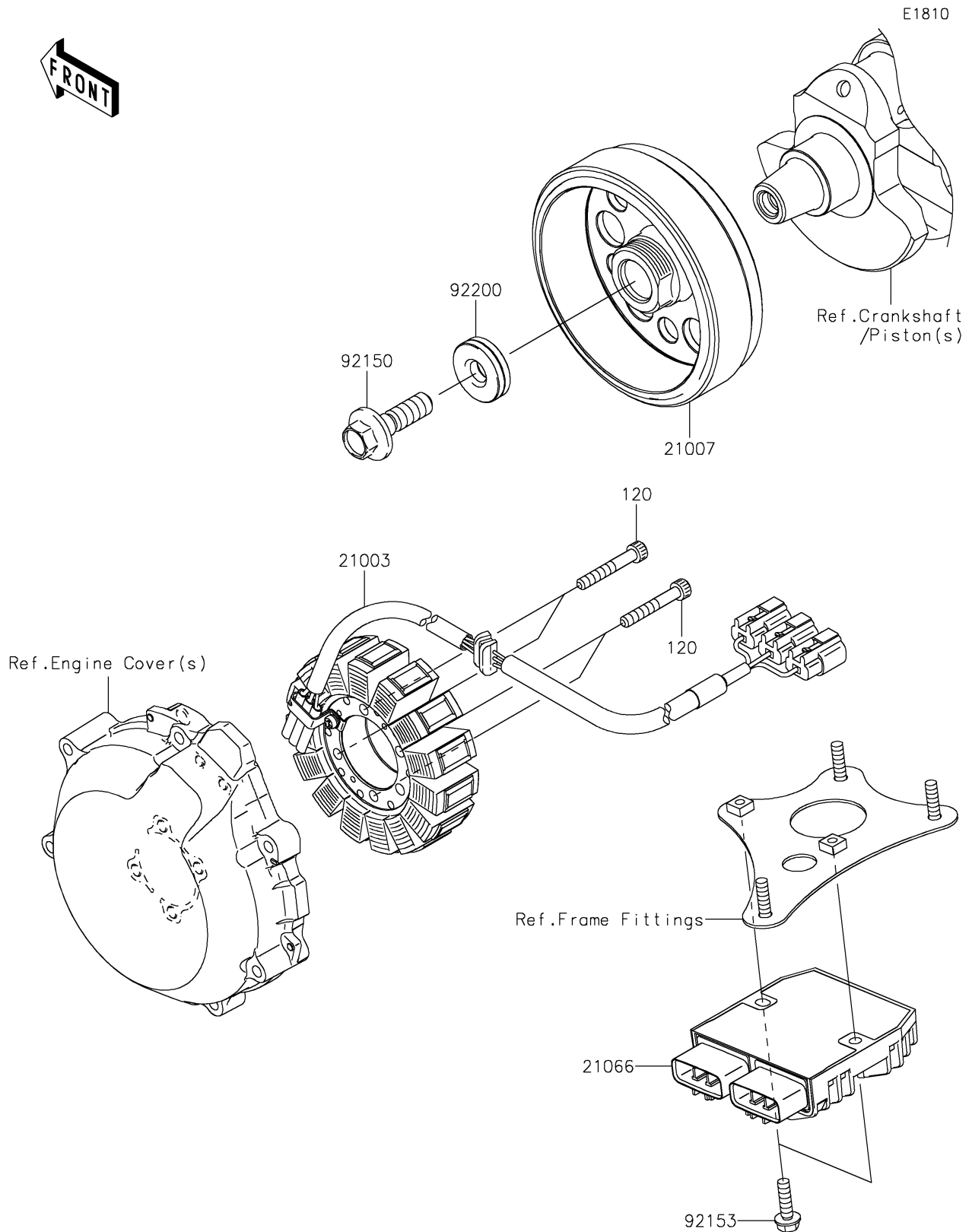


2021 CONCOURS® 14 ABS

PARTS DIAGRAM

Generator



2021 CONCOURS® 14 ABS

PARTS LIST

Generator

ITEM NAME

PART NUMBER

QUANTITY
