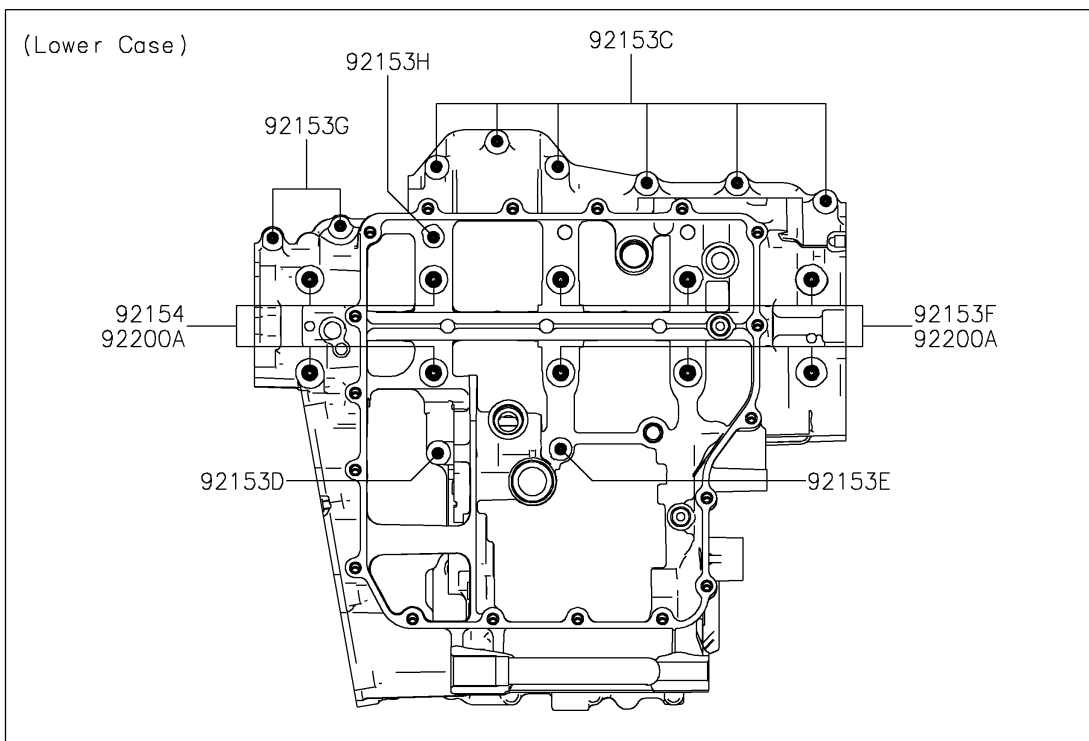
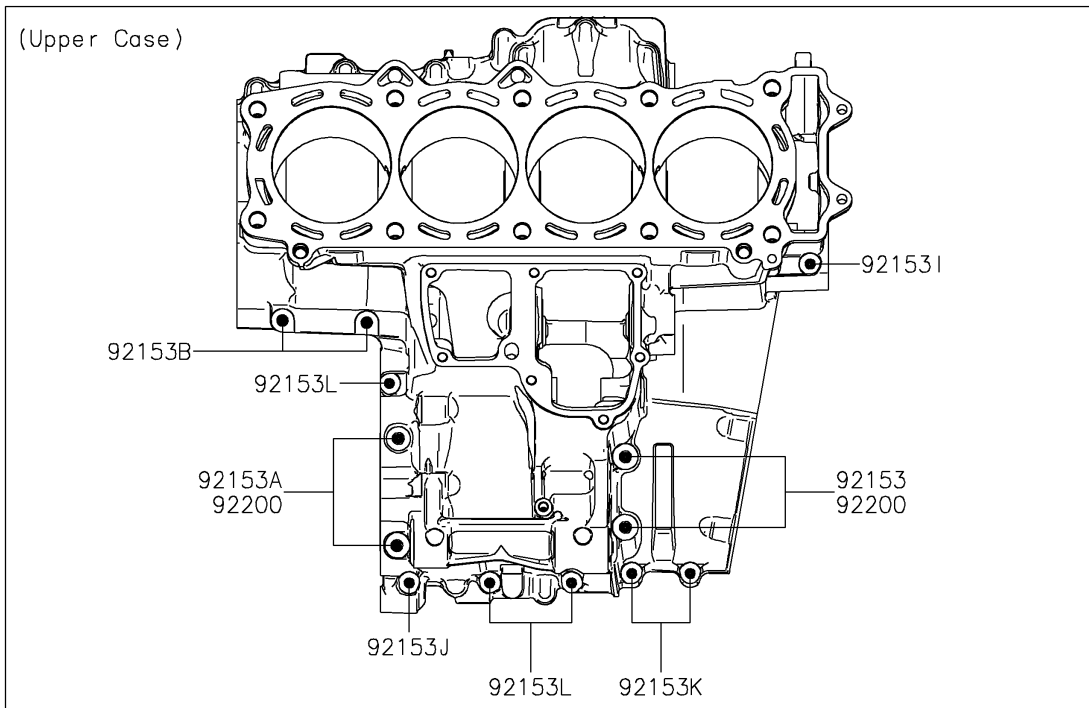


# 2021 CONCOURS® 14 ABS

## PARTS DIAGRAM

### Crankcase Bolt Pattern

E1412



# 2021 CONCOURS® 14 ABS

## PARTS LIST

### Crankcase Bolt Pattern

**ITEM NAME**

**PART NUMBER**

**QUANTITY**

---