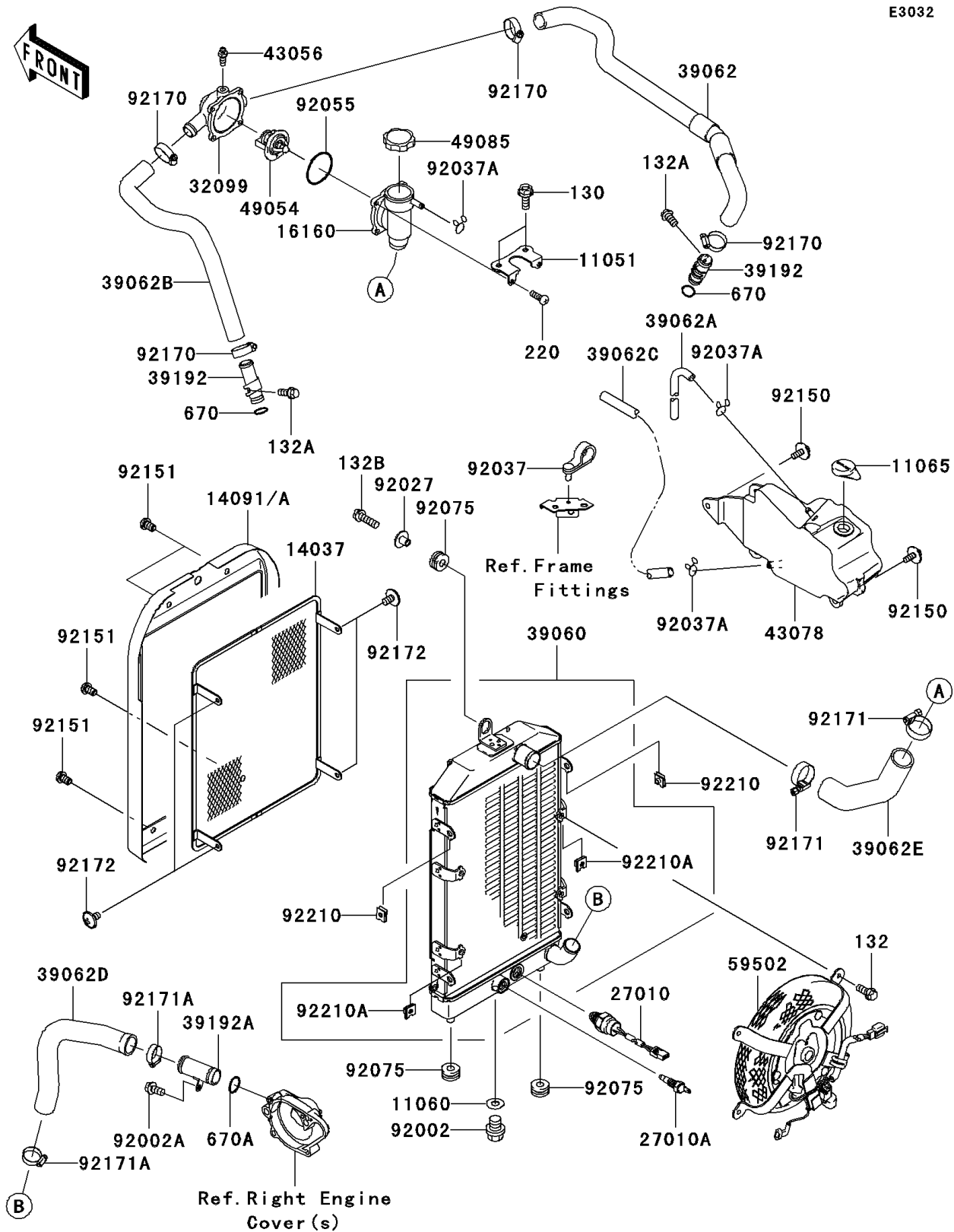


2008 Vulcan® 1600 Mean Streak®

PARTS DIAGRAM

Radiator

E3032



2008 Vulcan® 1600 Mean Streak®

Kawasaki
Let the Good Times Roll®

PARTS LIST

Radiator

ITEM NAME	PART NUMBER	QUANTITY
BOLT-FLANGED,6X16 (Ref # 130)	130J0616	2
BRACKET,THERMOSTAT CASE (Ref # 11051)	11051-1535	1
GASKET,DRAIN PLUG (Ref # 11060)	11060-1767	1
CAP,COOLANT (Ref # 11065)	11065-1093	1
SCREEN,INNER (Ref # 14037)	14037-0014	1
COVER (Ref # 14091A)	14091-0840	1
BODY (Ref # 16160)	16160-0038	1
SWITCH,FAN (Ref # 27010)	27010-0024	1
SWITCH,WARNING (Ref # 27010A)	27010-1305	1
CASE,THERMOSTAT (Ref # 32099)	32099-1201	1
RADIATOR (Ref # 39060)	39060-0019	1
HOSE-COOLING,THERMO-RR CASE (Ref # 39062)	39062-0030	1
HOSE-COOLING (Ref # 39062A)	39062-1258	1
HOSE-COOLING,FR HEAD-THERMO (Ref # 39062B)	39062-1785	1
HOSE-COOLING,THERMO-RESER (Ref # 39062C)	39062-1796	1
HOSE-COOLING,RADIATOR-PUMP (Ref # 39062D)	39062-1850	1
HOSE-COOLING,THERMO-RADIATOR (Ref # 39062E)	39062-1892	1
PIPE-WATER (Ref # 39192)	39192-1094	2
PIPE-WATER (Ref # 39192A)	39192-1096	1
BREATHER (Ref # 43056)	43056-003	1
RESERVOIR (Ref # 43078)	43078-1180	1
THERMOSTAT (Ref # 49054)	49054-1067	1
CAP-ASSY-PRESSURE (Ref # 49085)	49085-0002	1
FAN-ASSY (Ref # 59502)	59502-0013	1
BOLT,FLANGED,10X10 (Ref # 92002)	92002-1311	1
BOLT,6X12 (Ref # 92002A)	92002-1569	1
COLLAR,L=13.1,BLACK (Ref # 92027)	92027-1450	1
CLAMP,SPEED,L=58 (Ref # 92037)	92037-1163	1
CLAMP,TUBE (Ref # 92037A)	92037-147	3

2008 Vulcan® 1600 Mean Streak®

Kawasaki
Let the Good Times Roll®

PARTS LIST

Radiator

ITEM NAME	PART NUMBER	QUANTITY
RING-O,53.5X2.6 (Ref # 92055)	92055-112	1
DAMPER (Ref # 92075)	92075-1690	3
BOLT,FLANGED,6X14,WASHER (Ref # 92150)	92150-1392	2
BOLT,6X10 (Ref # 92151)	92151-1809	4
CLAMP,COOLING HOSE (Ref # 92170)	92170-1032	4
CLAMP (Ref # 92171)	92171-0179	2
CLAMP (Ref # 92171A)	92171-0261	2
SCREW,6X10 (Ref # 92172)	92172-0005	4
NUT (Ref # 92210)	92210-1125	4
NUT (Ref # 92210A)	92210-1323	4
BOLT-FLANGED-SMALL,6X10 (Ref # 132)	132J0610	4
BOLT-FLANGED-SMALL,6X12 (Ref # 132A)	132J0612	2
BOLT-FLANGED-SMALL,6X20 (Ref # 132B)	132J0620	1
SCREW-PAN-CROS,5X14 (Ref # 220)	220D0514	4
O RING,14MM (Ref # 670)	670B2014	2
O RING,18MM (Ref # 670A)	670B2018	1