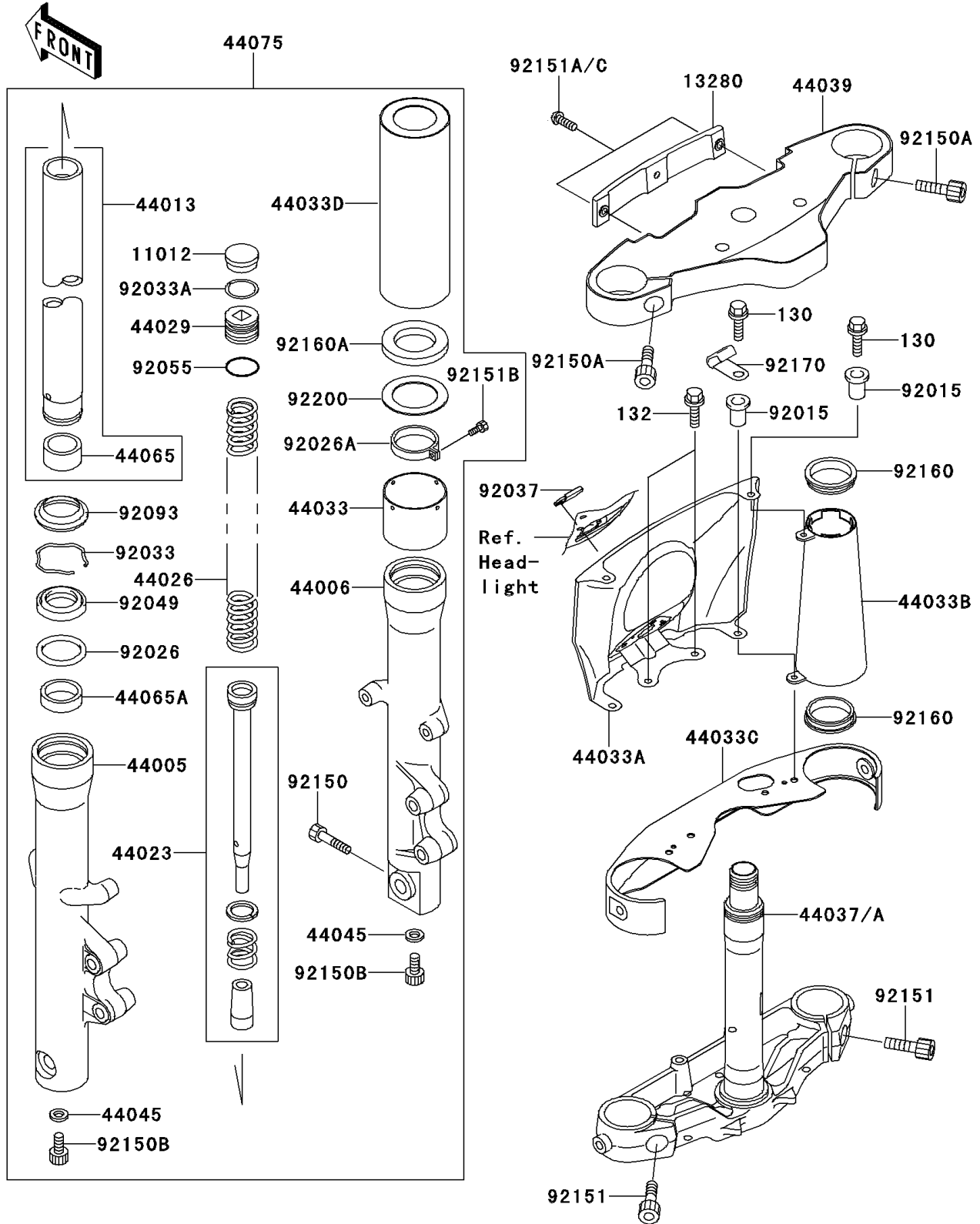


1999 Vulcan 1500 Nomad

PARTS DIAGRAM

Front Fork

F2340



1999 Vulcan 1500 Nomad

PARTS LIST

Front Fork

ITEM NAME	PART NUMBER	QUANTITY
CAP,FORK TOP (Ref # 11012)	11012-1618	2
HOLDER (Ref # 13280)	13280-1070	1
PIPE-LEFT FORK OUTER (Ref # 44005)	44005-1384	1
PIPE-RIGHT FORK OUTER (Ref # 44006)	44006-1384	1
PIPE-FORK INNER (Ref # 44013)	44013-1450	2
CYLINDER-SET-FORK (Ref # 44023)	44023-1129	2
SPRING-FRONT FORK (Ref # 44026)	44026-1676	2
SEAT-FORK SPRING (Ref # 44029)	44029-1125	2
COVER-FORK (Ref # 44033)	44033-1223	2
COVER-FORK,CNT (Ref # 44033A)	44033-1228	1
COVER-FORK,UPP (Ref # 44033B)	44033-1229	2
COVER-FORK,LWR (Ref # 44033C)	44033-1230	1
COVER-FORK (Ref # 44033D)	44033-1236	2
HOLDER-FORK UNDER (Ref # 44037)	44037-1368	1
HOLDER-FORK UPPER (Ref # 44039)	44039-1279	1
GASKET,FORK CYLINDER BOLT (Ref # 44045)	44045-051	2
BUSHING-FRONT FORK,INNER PIPE (Ref # 44065)	44065-1126	2
BUSHING-FRONT FORK (Ref # 44065A)	44065-1127	2
DAMPER-SET-FORK (Ref # 44075)	44075-1073	1
NUT,WELL,5MM (Ref # 92015)	92015-1757	4
SPACER,FORK OUTER (Ref # 92026)	92026-1276	2
SPACER (Ref # 92026A)	92026-1515	2
RING-SNAP,FORK OUTER (Ref # 92033)	92033-1222	2
RING-SNAP,SPRING SEAT (Ref # 92033A)	92033-1223	2
CLAMP,L=45 (Ref # 92037)	92037-1539	1
SEAL-OIL,FORK (Ref # 92049)	92049-1363	2
RING-O,SPRING SEAT (Ref # 92055)	92055-1363	2
SEAL,FORK (Ref # 92093)	92093-1268	2
BOLT,SOCKET,10X40 (Ref # 92150)	92150-1029	1

1999 Vulcan 1500 Nomad

PARTS LIST

Front Fork

ITEM NAME	PART NUMBER	QUANTITY
BOLT,SOCKET,8X30 (Ref # 92150A)	92150-1031	2
BOLT,SOCKET,8X18 (Ref # 92150B)	92150-1432	2
BOLT,SOCKET,10X25 (Ref # 92151)	92151-1083	2
BOLT,SOCKET,6X20 (Ref # 92151A)	92151-1324	2
BOLT,SOCKET,4X16 (Ref # 92151B)	92151-1356	2
DAMPER (Ref # 92160)	92160-1892	4
DAMPER (Ref # 92160A)	92160-1927	2
CLAMP,HARNESS (Ref # 92170)	92170-1900	2
WASHER (Ref # 92200)	92200-1417	2
BOLT-FLANGED (Ref # 130)	130J0516	4
BOLT-FLANGED-SMALL (Ref # 132)	132E0612	2