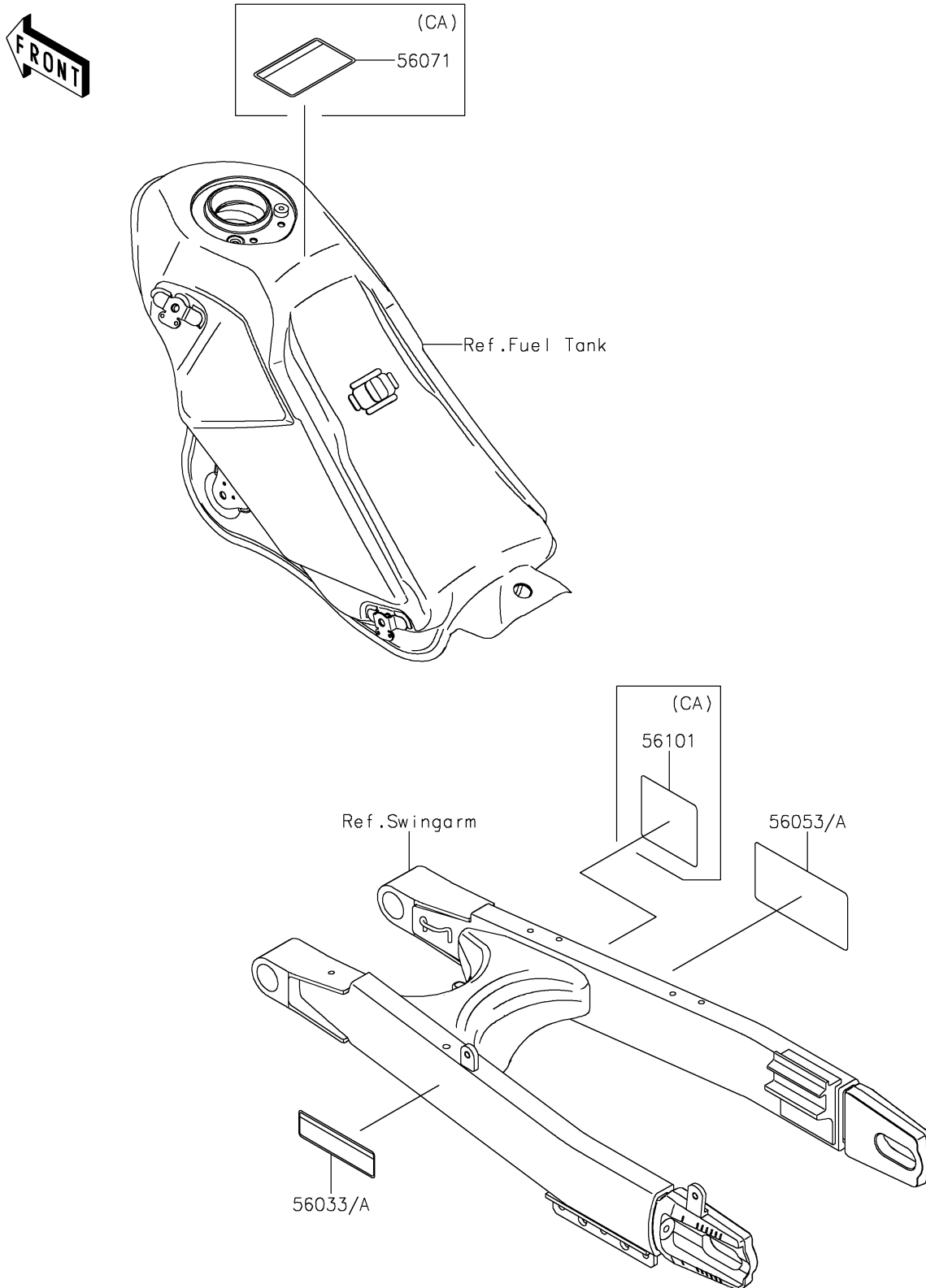


# 2023 KLX<sup>®</sup> 300SM

## PARTS DIAGRAM

### Labels

F2860



# 2023 KLX<sup>®</sup> 300SM

## PARTS LIST

### Labels

ITEM NAME	PART NUMBER	QUANTITY
LABEL-MANUAL,CHAIN (Ref # 56033)	56033-1478	1
LABEL-SPECIFICATION,TIRE&LOAD (Ref # 56053)	56053-1914	1