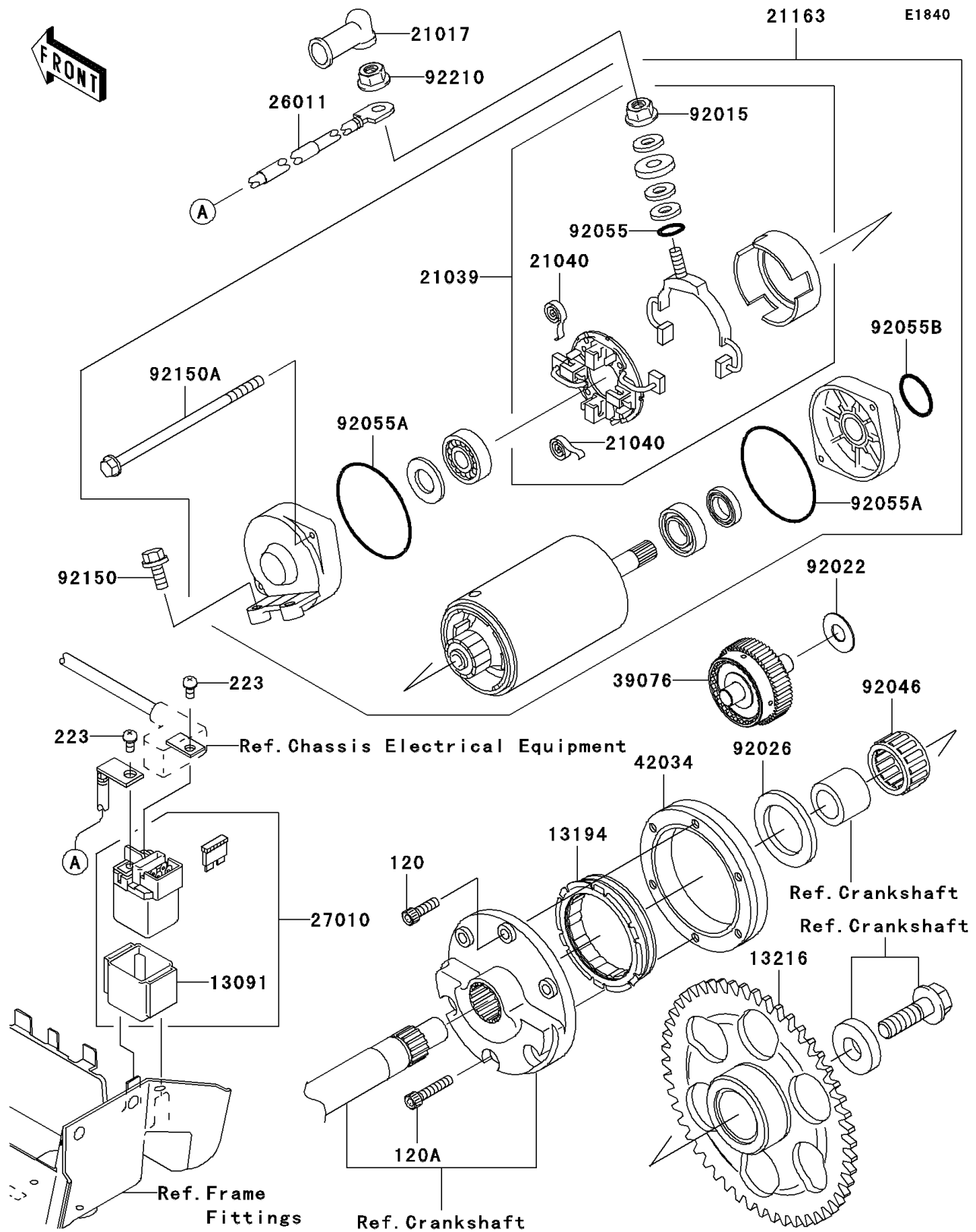


2008 Vulcan® 1600 Mean Streak®

PARTS DIAGRAM

Starter Motor



2008 Vulcan® 1600 Mean Streak®

Kawasaki
Let the Good Times Roll®

PARTS LIST

Starter Motor

| ITEM NAME | PART NUMBER | QUANTITY |
|--|-------------|----------|
| BOLT-SOCKET,6X20 (Ref # 120) | 120S0620 | 3 |
| BOLT-SOCKET,6X30 (Ref # 120A) | 120S0630 | 3 |
| SCREW-PAN-WS-CROS,5X10 (Ref # 223) | 223D0510 | 2 |
| HOLDER,MAGNETIC SWITCH (Ref # 13091) | 13091-1884 | 1 |
| CLUTCH-ONEWAY (Ref # 13194) | 13194-1088 | 1 |
| GEAR-COMP,FREE WHEEL (Ref # 13216) | 13216-0019 | 1 |
| GROMMET,STARTER TERMINAL (Ref # 21017) | 21017-017 | 1 |
| BRUSH,CARBON (Ref # 21039) | 21039-1060 | 1 |
| SPRING-BRUSH (Ref # 21040) | 21040-1055 | 4 |
| STARTER-ELECTRIC (Ref # 21163) | 21163-1271 | 1 |
| WIRE-LEAD (Ref # 26011) | 26011-0081 | 1 |
| SWITCH,MAGNETIC (Ref # 27010) | 27010-1327 | 1 |
| LIMITER,STARTER TORQUE (Ref # 39076) | 39076-0003 | 1 |
| COUPLING (Ref # 42034) | 42034-1093 | 1 |
| NUT,STARTER MOTOR (Ref # 92015) | 92015-1476 | 1 |
| WASHER,12X27.5X1.0 (Ref # 92022) | 92022-1852 | 1 |
| SPACER,31X49.5X1.2 (Ref # 92026) | 92026-1490 | 1 |
| BEARING-NEEDLE,K30X35X20 (Ref # 92046) | 92046-1171 | 1 |
| RING-O,4.5X2.0 (Ref # 92055) | 92055-1370 | 1 |
| RING-O,STARTER MOTOR (Ref # 92055A) | 92055-1381 | 2 |
| RING-O,37MM (Ref # 92055B) | 92055-1393 | 1 |
| BOLT,FLANGED-SMALL,6X25 (Ref # 92150) | 92150-1779 | 2 |
| BOLT,STARTER MOTOR (Ref # 92150A) | 92150-1913 | 2 |
| NUT,6MM (Ref # 92210) | 92210-0188 | 1 |