

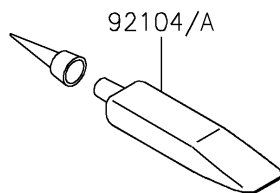
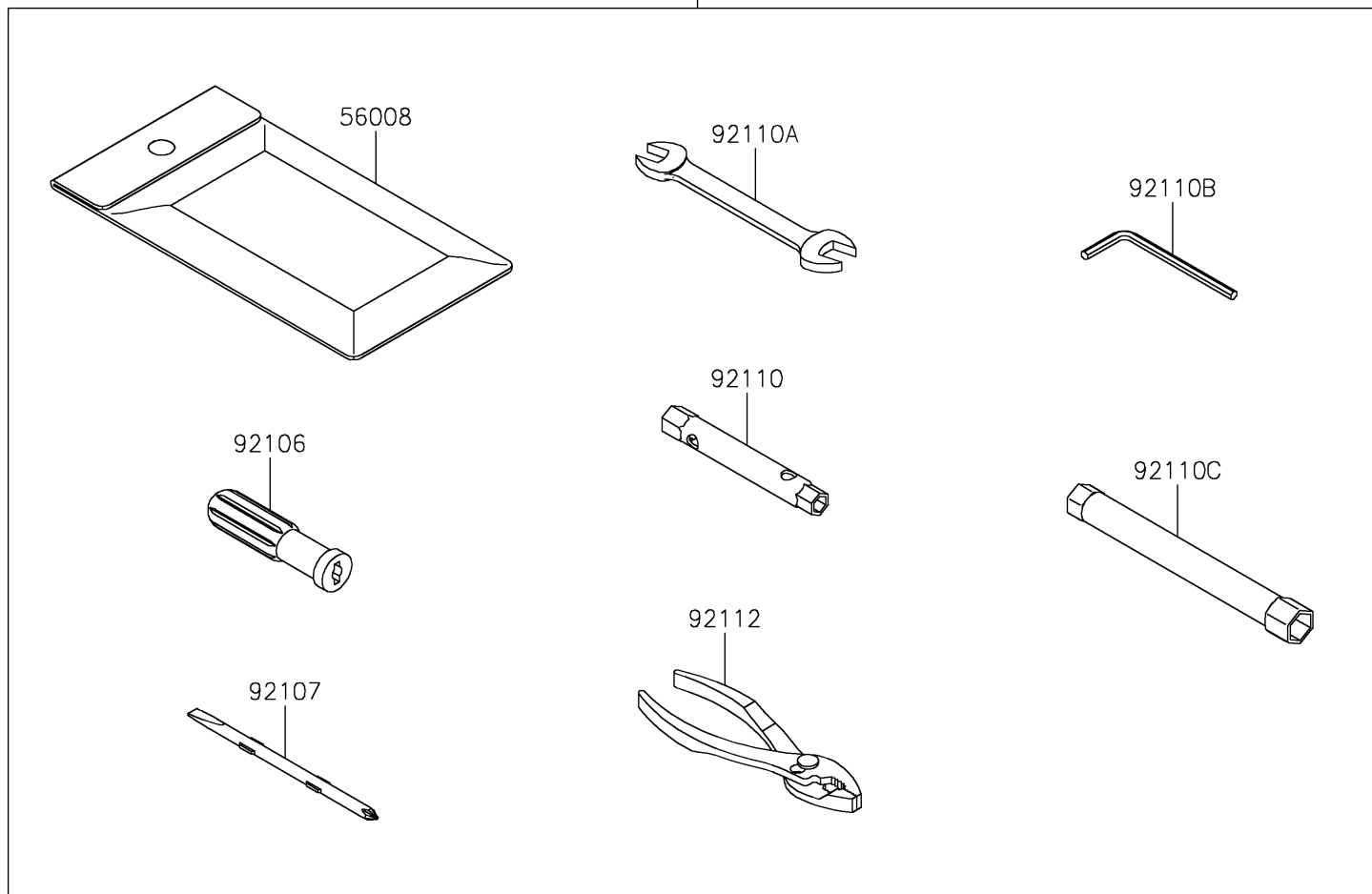
# 2022 KLR<sup>®</sup> 650 TRAVELER

## PARTS DIAGRAM

### Owner's Tools

F2810

56007



# 2022 KLR<sup>®</sup> 650 TRAVELER

## PARTS LIST

### Owner's Tools

**ITEM NAME**

**PART NUMBER**

**QUANTITY**

---