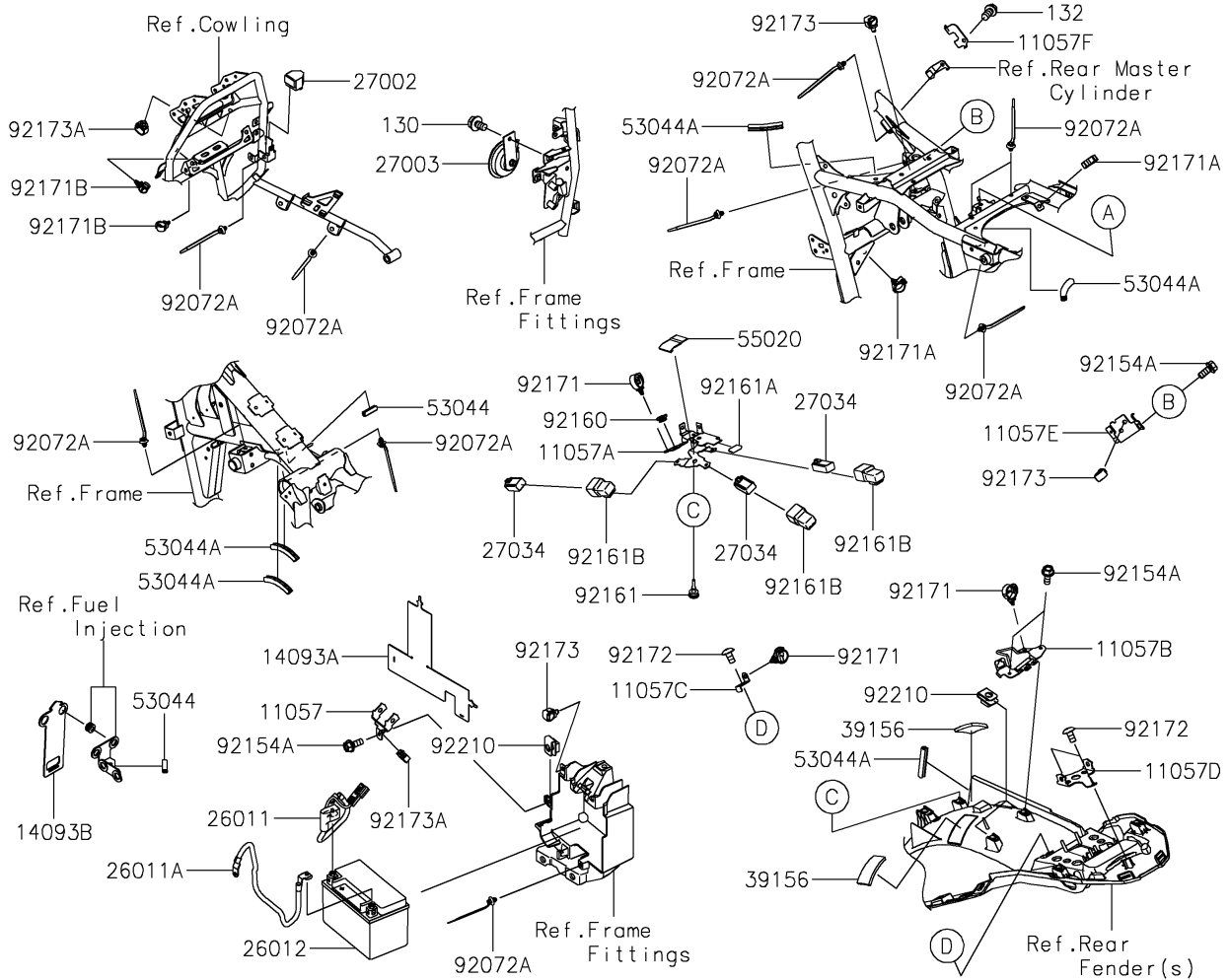
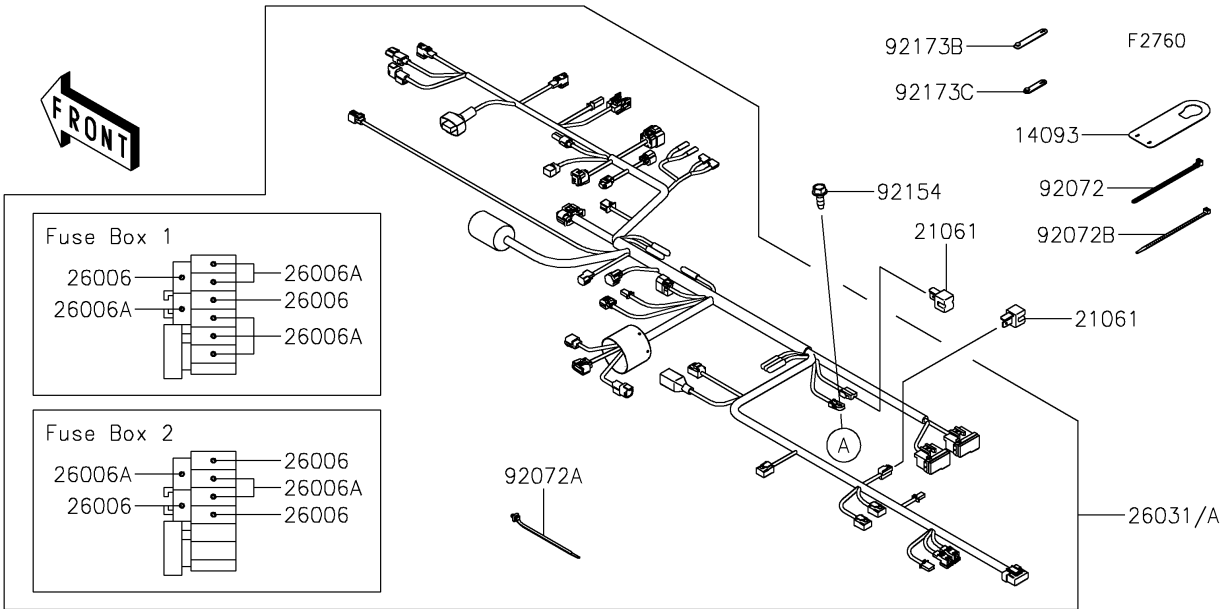


# 2022 KLR® 650

## PARTS DIAGRAM

### Chassis Electrical Equipment



# 2022 KLR<sup>®</sup> 650

## PARTS LIST

### Chassis Electrical Equipment

**ITEM NAME**

**PART NUMBER**

**QUANTITY**

---