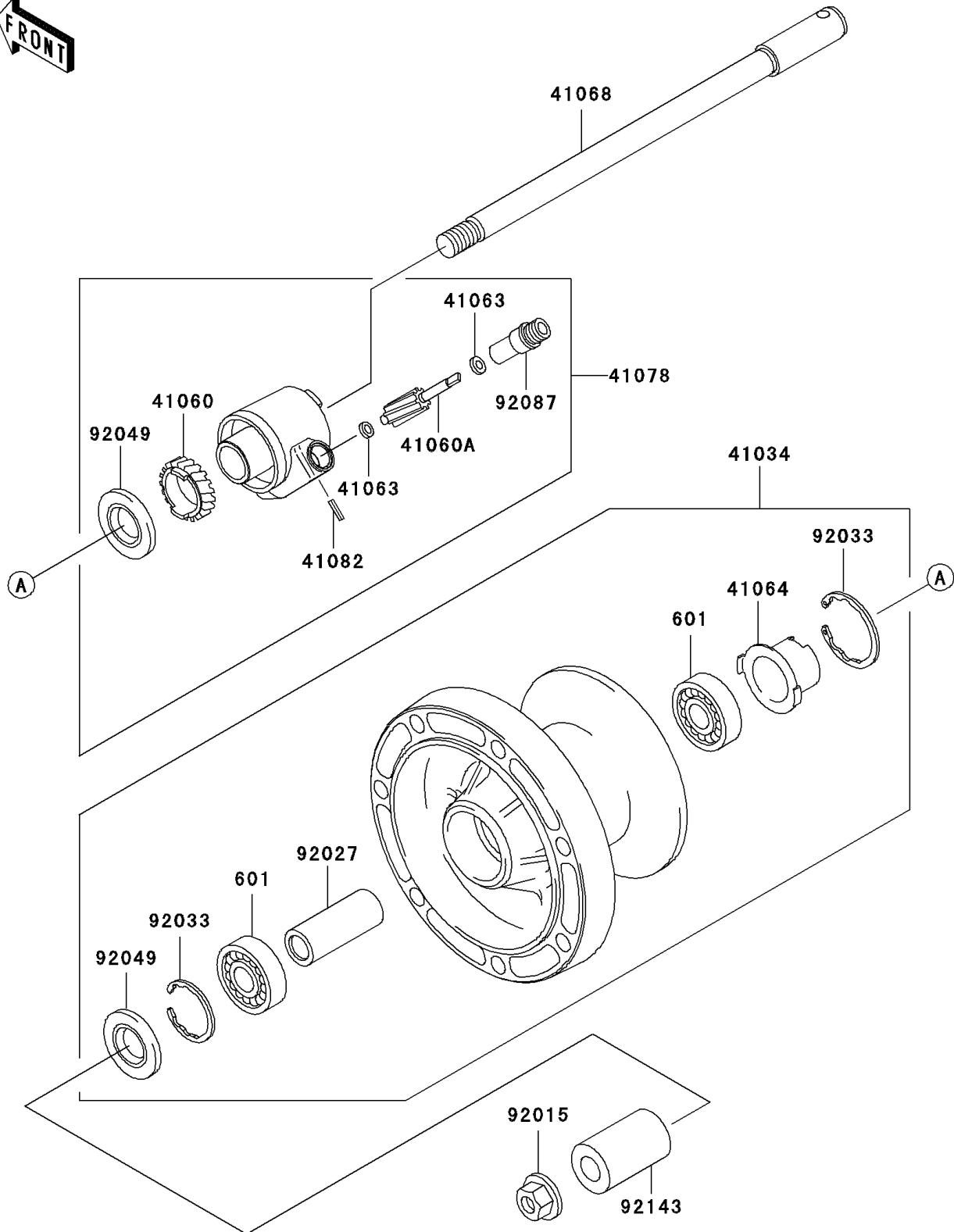


# 1997 Vulcan 1500 Classic

## PARTS DIAGRAM

### Front Wheel

F2230



# 1997 Vulcan 1500 Classic

## PARTS LIST

### Front Wheel

**ITEM NAME**

**PART NUMBER**

**QUANTITY**

---