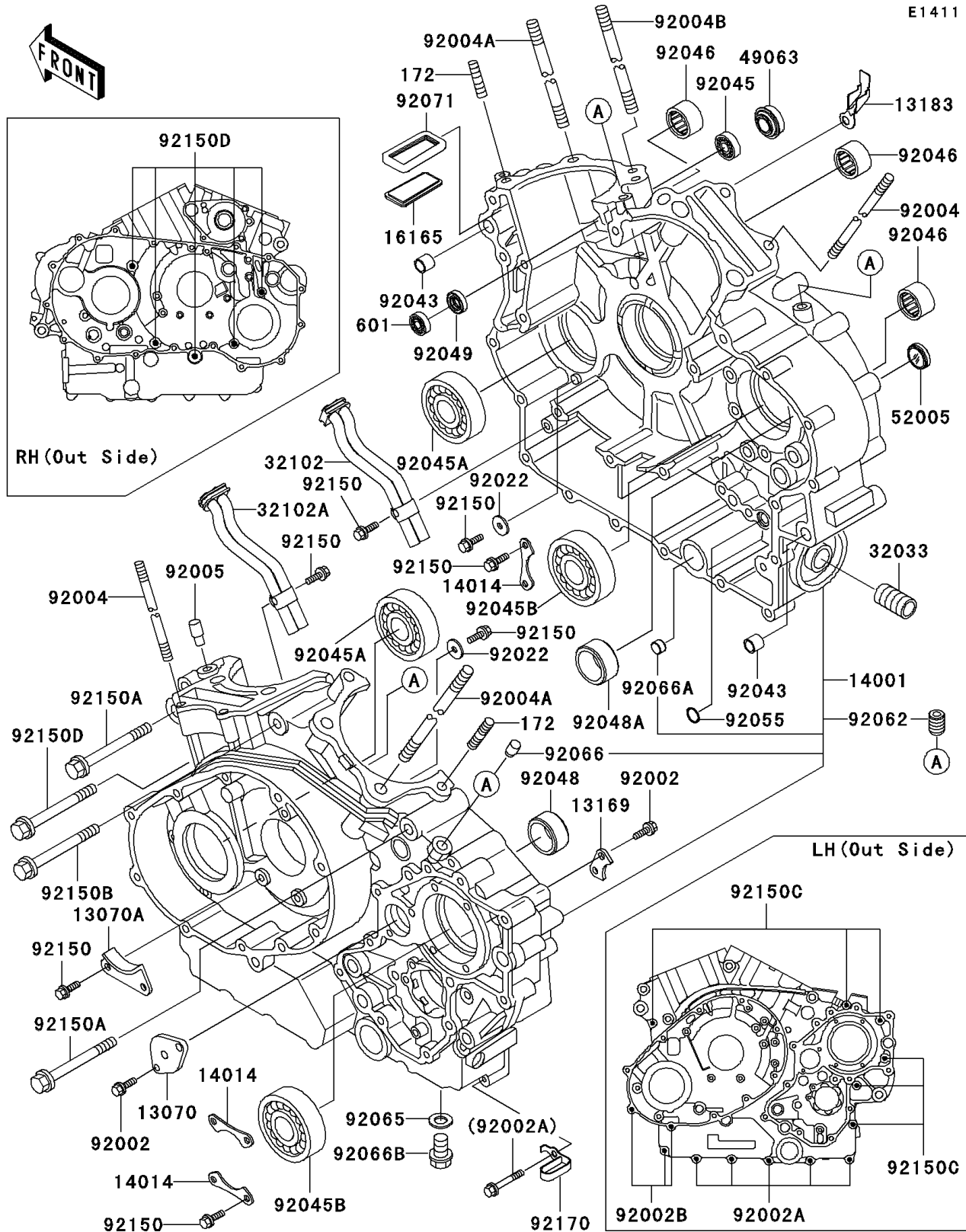


1996 Vulcan 1500 Classic

PARTS DIAGRAM

Crankcase



1996 Vulcan 1500 Classic

PARTS LIST

Crankcase

ITEM NAME	PART NUMBER	QUANTITY
GUIDE,PUSH ROD (Ref # 13070)	13070-1167	1
GUIDE,CAM CHAIN (Ref # 13070A)	13070-1168	2
PLATE,GEAR CHANGE DRUM (Ref # 13169)	13169-014	1
PLATE (Ref # 13183)	13183-1145	1
SET-CRANKCASE (Ref # 14001)	14001-5351	1
PLATE-POSITION (Ref # 14014)	14014-1084	3
SEPARATOR (Ref # 16165)	16165-1058	2
PIPE,OIL FILTER (Ref # 32033)	32033-1535	1
PIPE (Ref # 32102)	32102-1407	1
PIPE (Ref # 32102A)	32102-1708	1
SEAL-MECHANICAL (Ref # 49063)	49063-1052	1
GAUGE,OIL LEVEL (Ref # 52005)	52005-1009	1
BOLT,FLANGED,6X16 (Ref # 92002)	92002-1439	4
BOLT,6X40 (Ref # 92002A)	92002-1566	5
BOLT,6X80 (Ref # 92002B)	92002-1568	3
STUD,8X231 (Ref # 92004)	92004-1174	4
STUD,12X250 (Ref # 92004A)	92004-1225	7
STUD,12X250 (Ref # 92004B)	92004-1240	1
FITTING (Ref # 92005)	92005-1155	1
WASHER,6X19.5X2 (Ref # 92022)	92022-1517	2
PIN,11X14X12.3 (Ref # 92043)	92043-1266	2
BEARING-BALL,6001LLU (Ref # 92045)	92045-1151	1
BEARING-BALL,63/28 (Ref # 92045A)	92045-1189	2
BEARING-BALL,6306SH2 (Ref # 92045B)	92045-1190	2
BEARING-NEEDLE,HK1212 (Ref # 92046)	92046-1163	3
RACE (Ref # 92048)	92048-1069	1
RACE (Ref # 92048A)	92048-1070	1
SEAL-OIL,AC037AE0 (Ref # 92049)	92049-1228	1
RING-O,13.2X2.4 (Ref # 92055)	92055-1373	1

1996 Vulcan 1500 Classic

PARTS LIST

Crankcase

ITEM NAME	PART NUMBER	QUANTITY
NOZZLE,6X8,GREEN (Ref # 92062)	92062-1078	4
GASKET,12X22X2,DRAIN PLUG (Ref # 92065)	92065-097	1
PLUG,OIL LINE,7.2X8 (Ref # 92066)	92066-1012	1
PLUG (Ref # 92066A)	92066-1110	1
PLUG,OIL DRAIN,12X15 (Ref # 92066B)	92066-1174	1
GROMMET,SEPARATOR (Ref # 92071)	92071-1153	2
BOLT,6X12 (Ref # 92150)	92150-1868	14
BOLT,10X105 (Ref # 92150A)	92150-1993	2
BOLT,10X115 (Ref # 92150B)	92150-1994	1
BOLT,6X70 (Ref # 92150C)	92150-1995	6
BOLT,8X90 (Ref # 92150D)	92150-1996	6
BOLT-STUD,8X25 (Ref # 172)	172G0825	4
BEARING-BALL (Ref # 601)	601A6001	1
CLAMP (Ref # 92170)	92170-1691	1