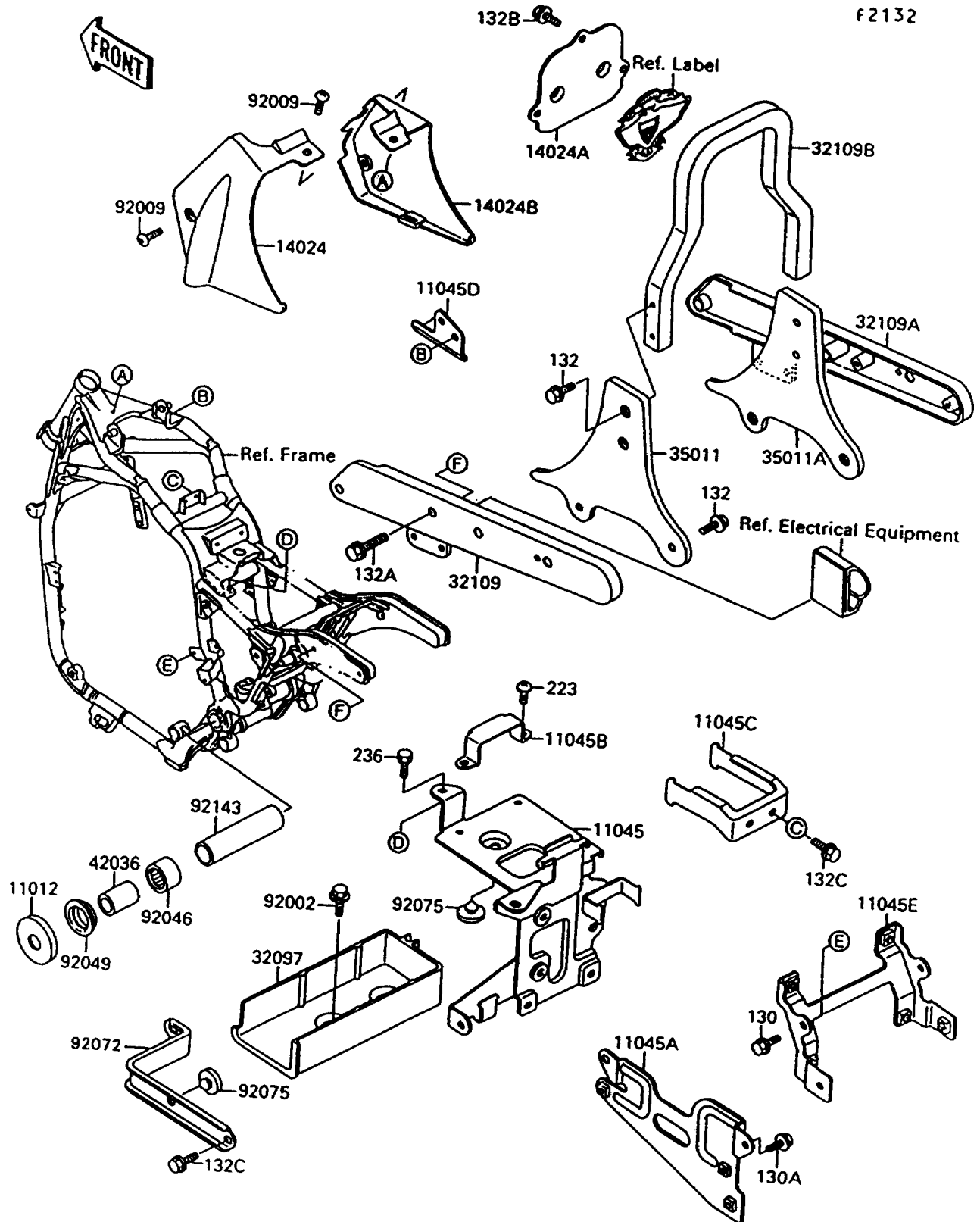


1997 Vulcan 1500 L

PARTS DIAGRAM

Battery Case



1997 Vulcan 1500 L

PARTS LIST

Battery Case

ITEM NAME

PART NUMBER

QUANTITY
