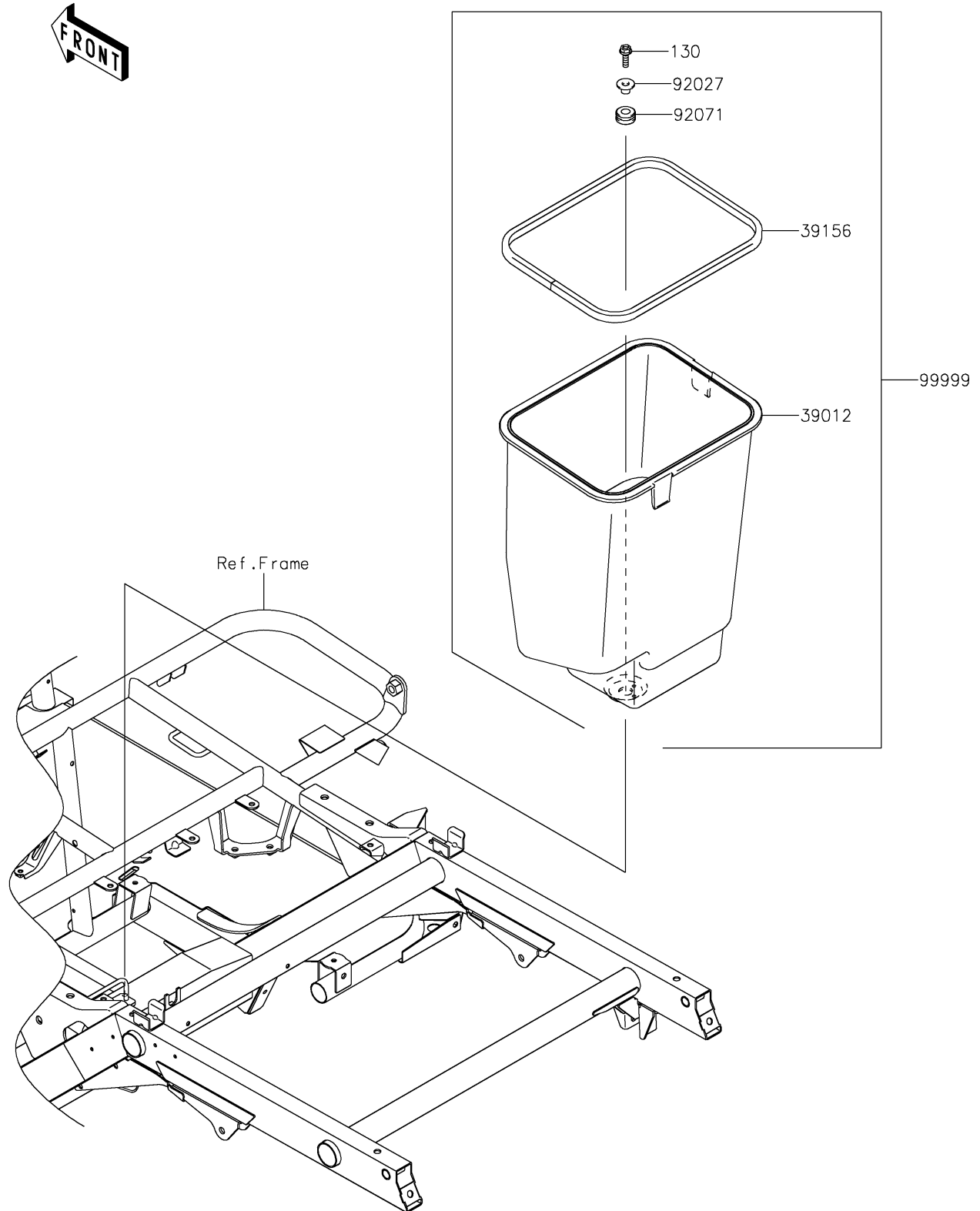


# 2021 MULE SX™

## PARTS DIAGRAM

### Optional Parts(Frame)(JMFNN/JNFNN)

F2890A



# 2021 MULE SX™

## PARTS LIST

Optional Parts(Frame)(JMFNN/JNFNN)

**ITEM NAME**

**PART NUMBER**

**QUANTITY**

---