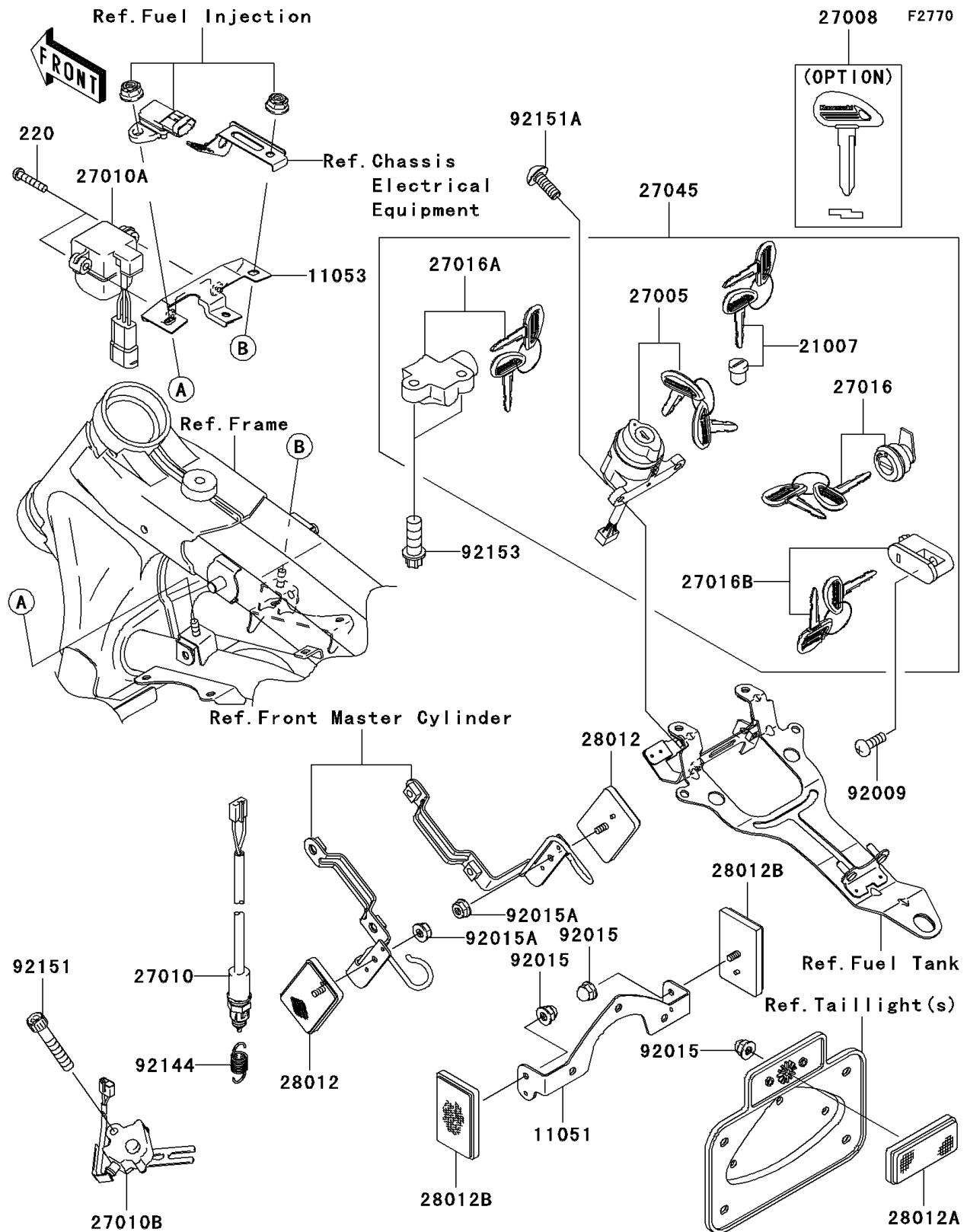


2008 Vulcan® 1600 Classic

PARTS DIAGRAM

Ignition Switch/Locks/Reflectors



2008 Vulcan® 1600 Classic

PARTS LIST

Ignition Switch/Locks/Reflectors

ITEM NAME	PART NUMBER	QUANTITY
-----------	-------------	----------
