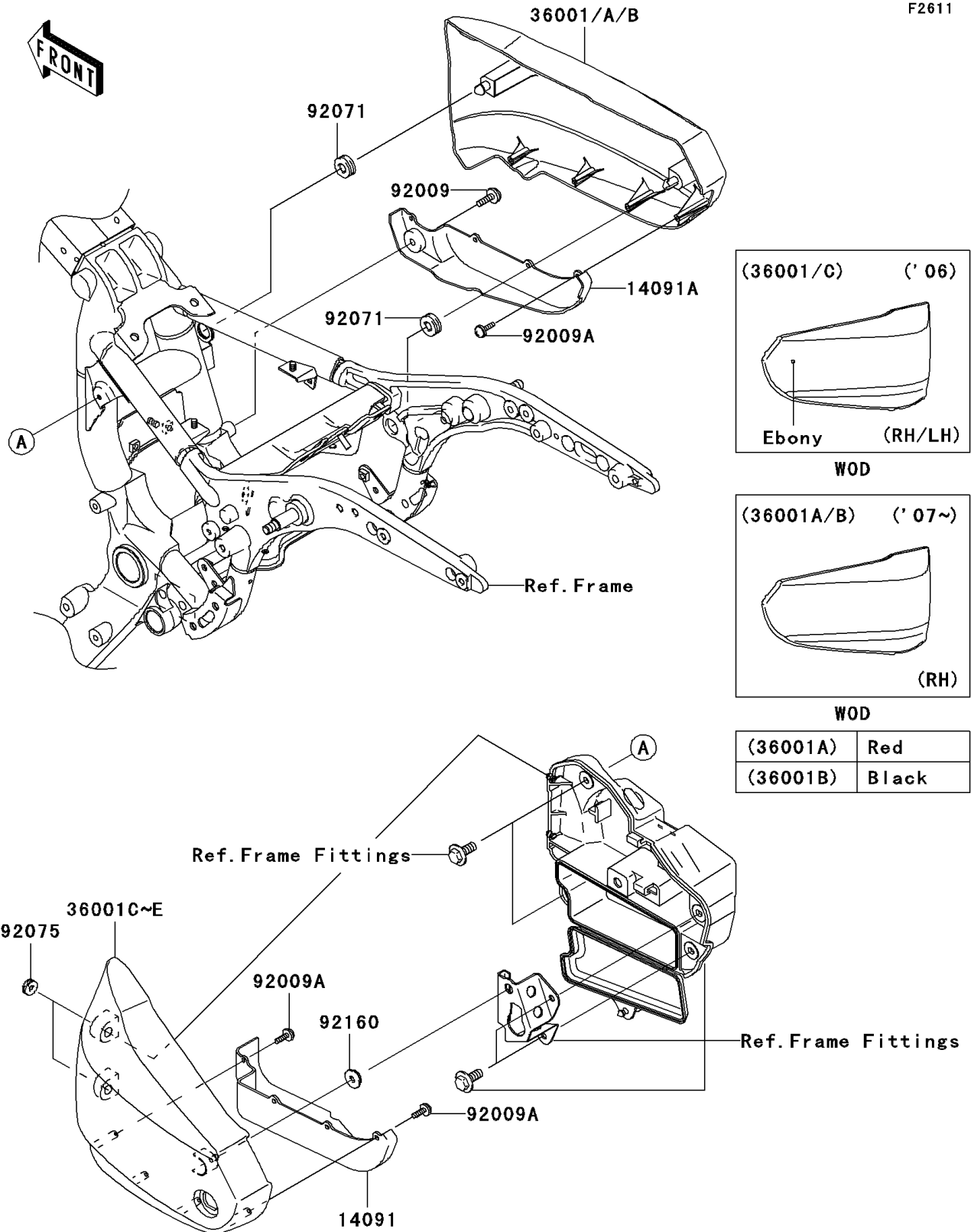


# 2008 Vulcan® 1600 Classic

## PARTS DIAGRAM

### Side Covers

F2611



# 2008 Vulcan® 1600 Classic

## PARTS LIST

### Side Covers

**ITEM NAME**

**PART NUMBER**

**QUANTITY**

---