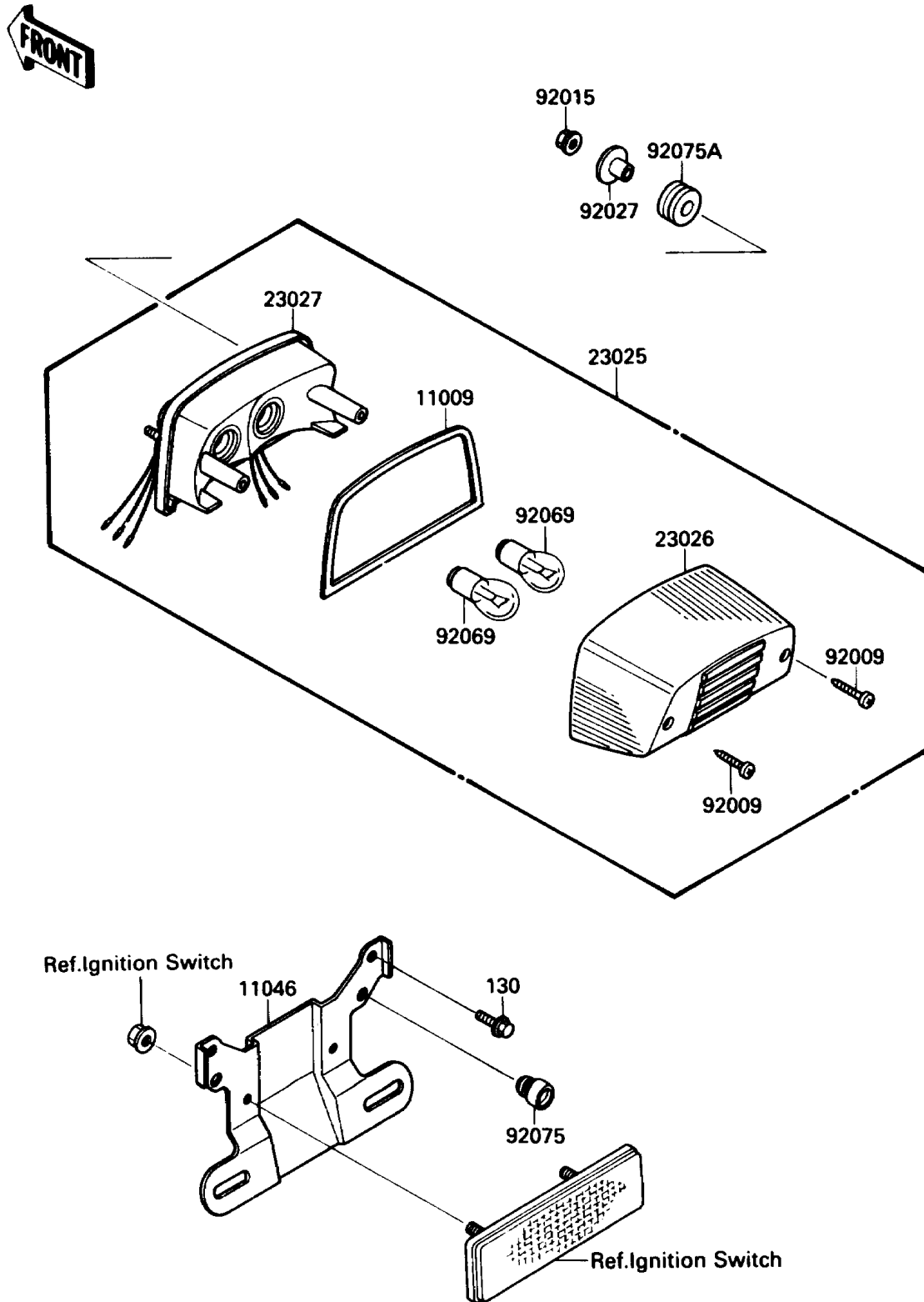


# 1987 Vulcan 88 SE

## PARTS DIAGRAM

### Taillight(s)

F2720-0256



# 1987 Vulcan 88 SE

## PARTS LIST

Taillight(s)

**ITEM NAME**

**PART NUMBER**

**QUANTITY**

---