

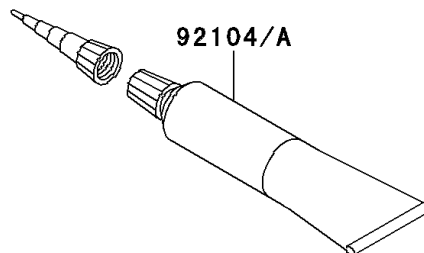
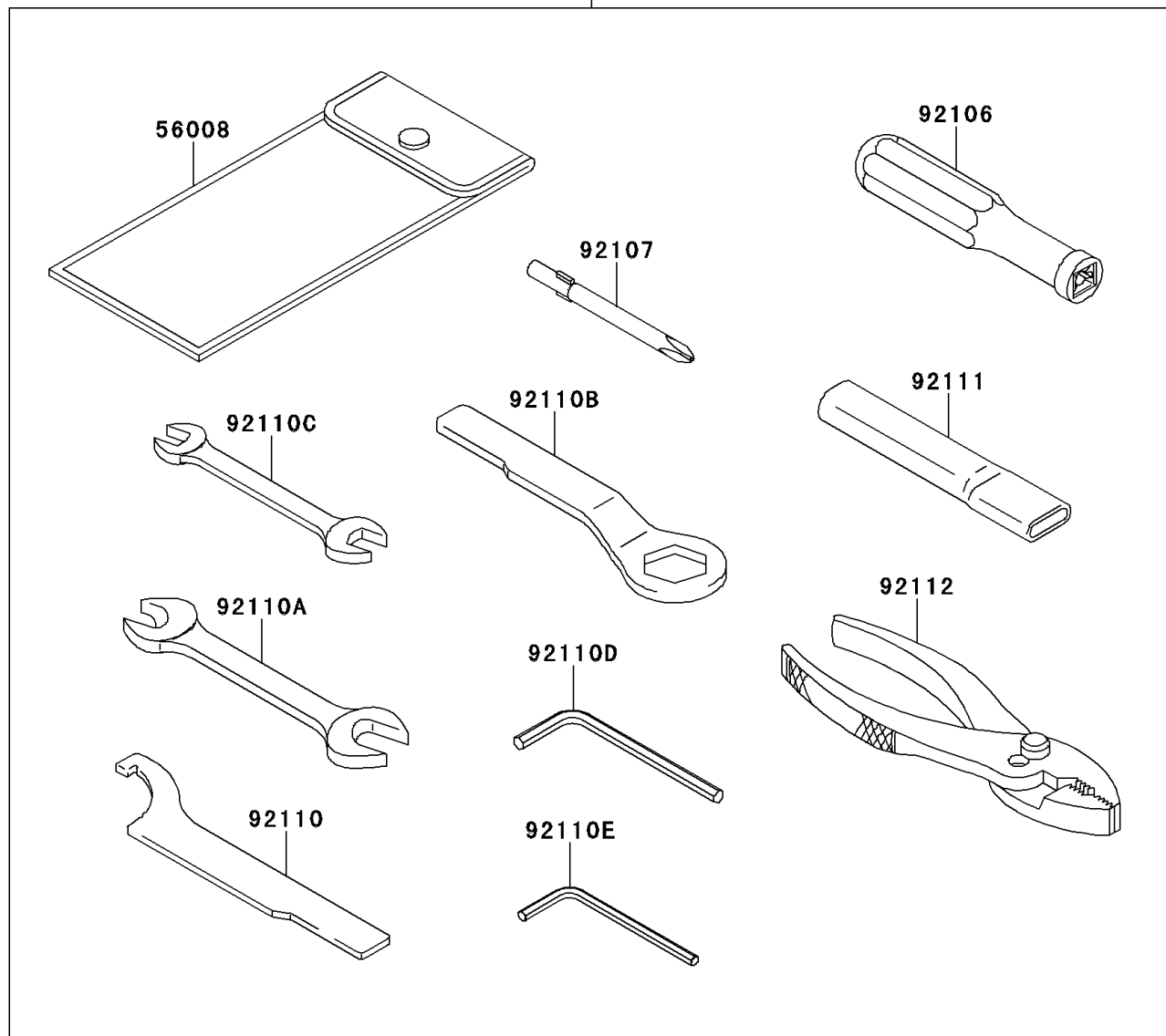
# 2014 NINJA® 300 ABS

## PARTS DIAGRAM

### Owner's Tools

F2810

56007



# 2014 NINJA<sup>®</sup> 300 ABS

## PARTS LIST

### Owner's Tools

**ITEM NAME**

**PART NUMBER**

**QUANTITY**

---