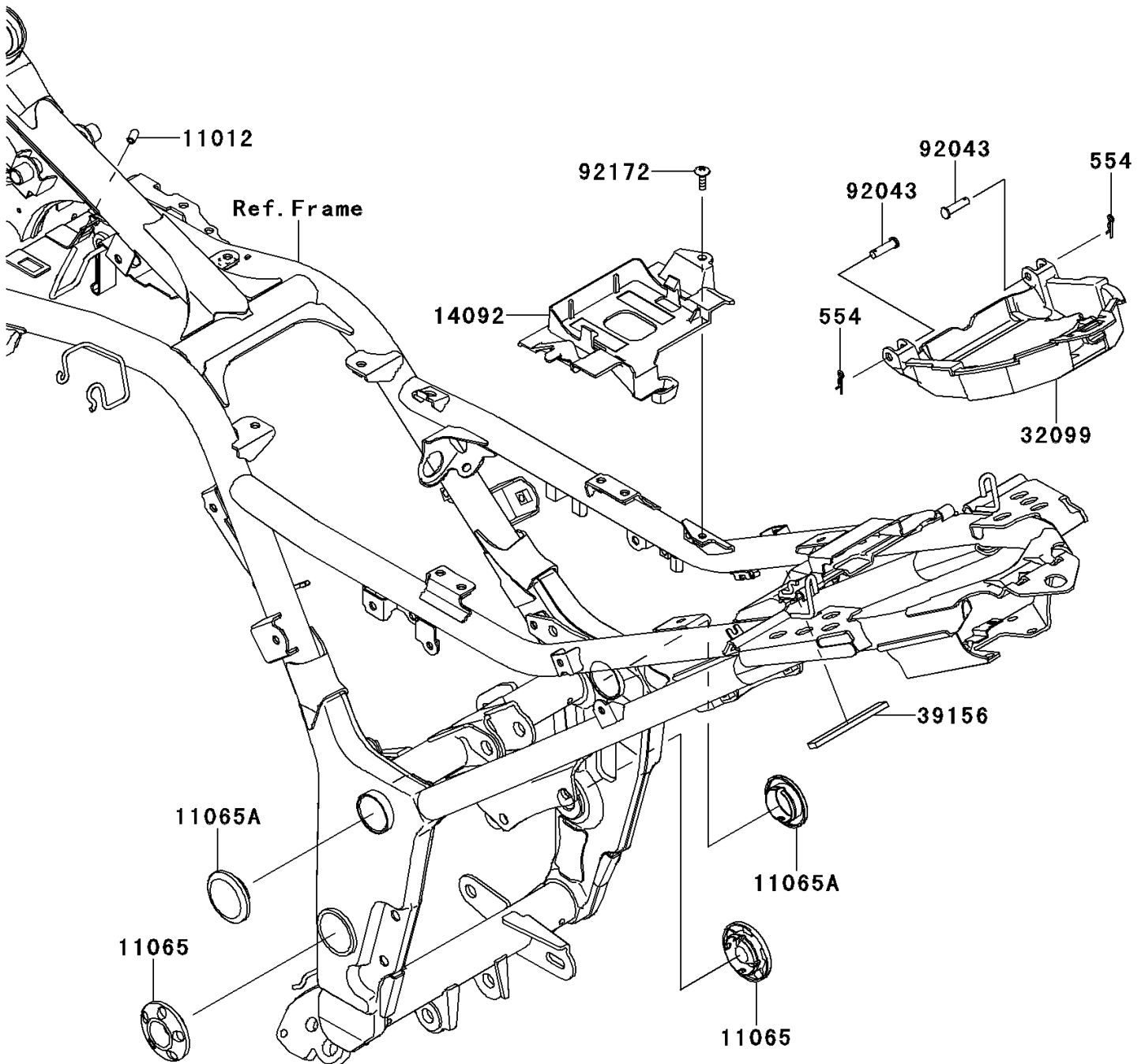


# 2014 NINJA<sup>®</sup> 300 ABS

## PARTS DIAGRAM

### Frame Fittings

F2131



# 2014 NINJA<sup>®</sup> 300 ABS

## PARTS LIST

### Frame Fittings

**ITEM NAME**

**PART NUMBER**

**QUANTITY**

---